

harman/kardon

DC520

DUAL AUTO REVERSE CASSETTE DECK



SERVICE MANUAL

harman/kardon Inc.
250 Crossways Park Drive
Woodbury, N.Y. 11797
1-800-645-7484 in the USA

CONTENTS

Specifications	2
Disassembly	3
Adjustments	4
IC Block Diagrams	10
Exploded view 1	12
Mechanical Parts List 1	13
Exploded view 2	14
Mechanical Parts List 2	15
Exploded view 3	16
Mechanical Parts List 3	17
Electrical Parts List 120v USA	18
Electrical Parts List 230v EU	25
PCB Layouts *	35
Schematics **	39

* PC boards are viewed from the Parts side only

** When printed, Schematics are intended for use with a printer capable of printing a 11 x 17" page or larger – if printed on a standard 8 ½ x 11 printer it may not be legible.

DC520

SPECIFICATIONS

Track System : 4-Track, 2-Channel Stereo

Heads : 3 ; Deck I ; 1 Playback (Rotating)
Deck II ; 1 Erase and 1 Record/Playback
(Rotating)

Type of Tape : Cassette tape C-60 and C-90 (Philips type)

Tape Speeds :

4.76 cm/sec (1-7/8 ips)
9.5 cm/sec (3-3/4 ips) (High speed dubbing)

Motors : 2 DC servo motors (1 ea. deck)

Wow and Flutter : 0.06 % (WRMS)

Frequency response (Overall, - 20 dB) :

25-19,000 Hz, Metal tape
25-18,000 Hz, CrO₂ tape
25-17,000 Hz, Normal tape

Signal - to - Noise Ratio (Overall) :

59 dB (NR off, 3 % THD Level, Weighted)
69 dB (Dolby B NR on, over 5 kHz)
79 dB (Dolby C NR on, over 1 kHz)

Fast Winding Time :

Approximately 110 seconds for C-60

Inputs : Line : 97 mV, 50 k ohms

Outputs : Line : 0.52 V for load impedance of 50 k ohms
or more
Headphones : 8 ohms

Power Requirements :

120/230 V AC, 50-60 Hz
(General Export model)
120 V AC, 60 Hz (U.S.A./Canada model)
230 V AC, 50 Hz (Europe model)
240 V AC, 50 Hz (U.K./Australia model)

Power Consumption : 14 W

Dimensions (W × H × D) :


435 × 144 × 284 mm
(17-1/8" × 5-11/16" × 11-3/16")

Weight (net) : 4.6 kg (10-1/8 lbs.)

Standard Accessories : Input-output connection cords

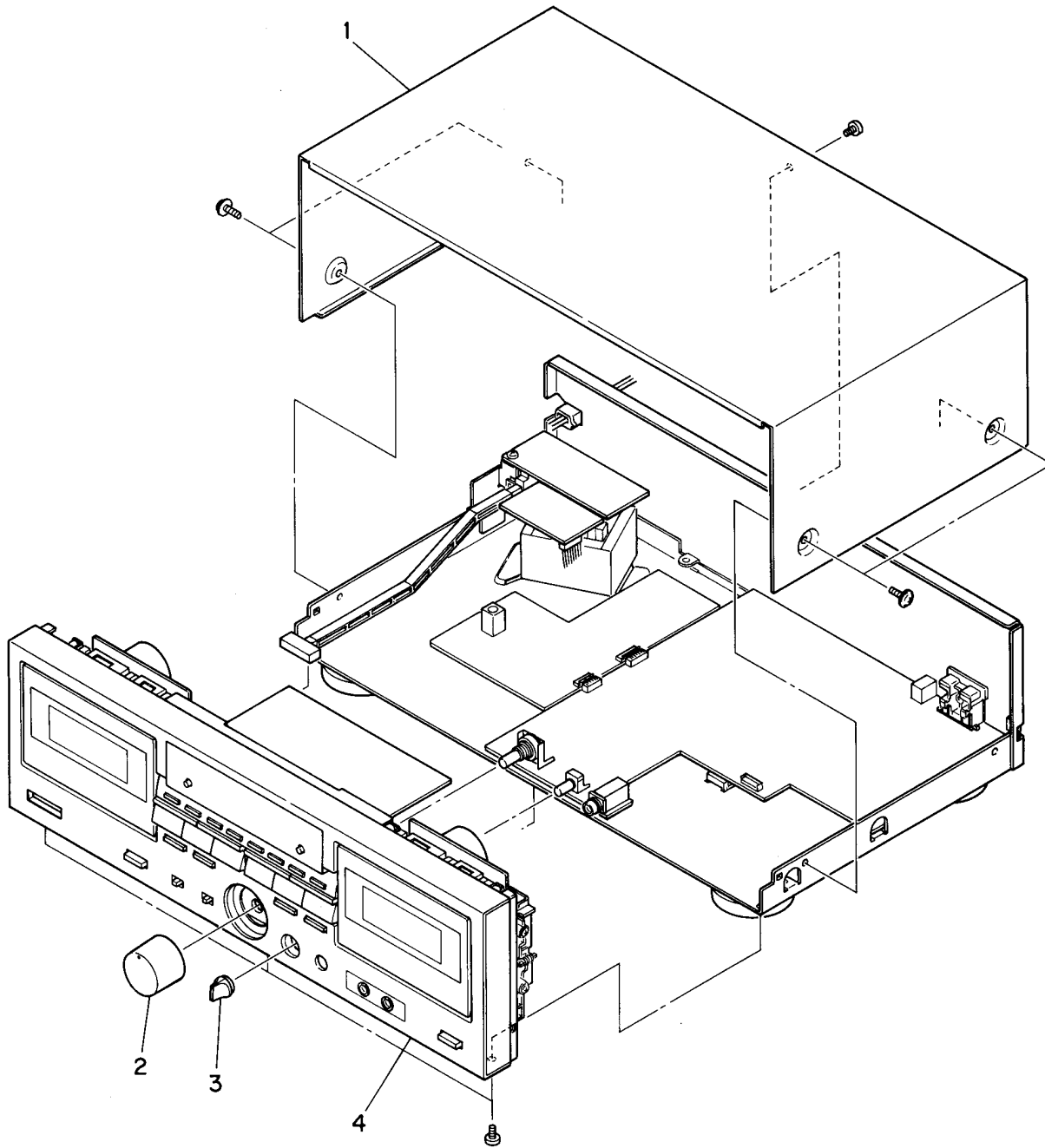
- Specifications were determined using metal tape except as noted.
- Improvements may result in specification or feature changing without notice.

Dolby noise reduction and HX Pro headroom extension manufactured under license from Dolby Laboratories Licensing Corporation. HX Pro originated by Bang & Olufsen.

"DOLBY", the double - D symbol  and "HX PRO" are trademarks of Dolby Laboratories Licensing Corporation.

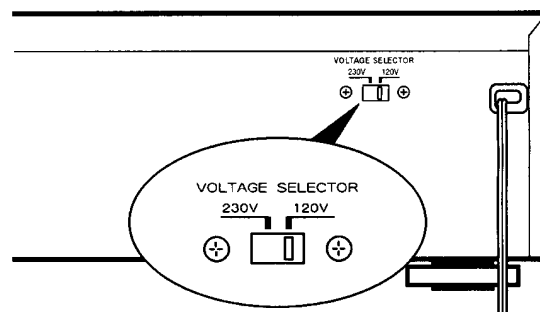
DC520 2 CASE AND FRONT PANEL REMOVAL

Disassemble in numerical order



Voltage Conversion (General export models only)

- Be sure to remove the power cord from the AC outlet before repositioning the voltage converter switch.
1. Locate the voltage selector on the rear panel.
 2. Using a flat-bladed screwdriver, set to the appropriate 230 V or 120 V position according to your area.



3-1 MECHANICAL ADJUSTMENT

3-1-1 Wow and flutter (playback method)

Note : In both FWD and REV play modes, these measurements should be made at the beginning, middle, and the end of the tape.

1. Connect a wow-and-flutter meter to the deck as shown in Fig. 3-1.
2. Load and play a TEAC MTT-111N test tape.
3. Check that the readings on the wow-and-flutter meter is within 0.15 % (WRMS).

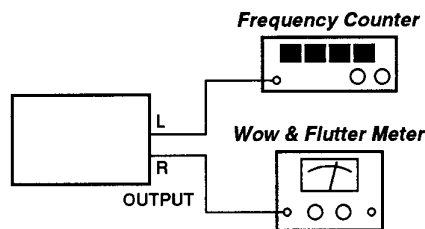


Fig. 3-1

3-1-2 Tape speed

1. Connect a frequency counter to the deck as shown in Fig. 3-1.
2. Load a TEAC MTT-111N test tape and play in FWD direction the beginning of the test tape.
3. Adjust each variable resistor (Fig. 3-2) to get the following figures.

	Adjustment point	Adjustment value (Hz)
DECK I	HIGH speed VR1	5,990~6,010
	LOW speed VR2	2,995~3,005
DECK II	HIGH speed VR3	5,990~6,010
	LOW speed VR4	2,995~3,005

- * At first, adjust HIGH tape speed.
- * Short TP1 to get the HIGH tape speed.

4. In play mode, check that the following figures are obtained at the beginning and at the end of the tape.

	Speed drifting
HIGH speed	Within 90Hz
LOW speed	Within 45Hz

3-1-3 Reel torque

1. Load the cassette torque meter on the deck and read the pointer indication on the dial scale for each tape transport operation. The measured torque should be within the following specified values.

Take-up : 35 to 70g · cm
 Supply : 2.5 to 6g · cm
 FF/REW : 80 to 170g · cm

DC520

3-2 ELECTRICAL ADJUSTMENT

3-2-1 Precautions

- Before performing adjustments and checks clean and demagnetize the entire tape path.
- In general, adjustments and checks are made in the order of Lch then Rch. Double REF. Nos. indicate Lch /Rch. (Example ; R11/R21)
- 0dB is referenced to 0.775V.
- The AC voltmeter used in the procedures must have an input impedance of 1MΩ or more.
- Input terminals and measuring points at each step are the same as previous step, otherwise specified.
- Unless specified otherwise, adjustments and checks are made in FWD direction.

3-2-2 Adjustment locations

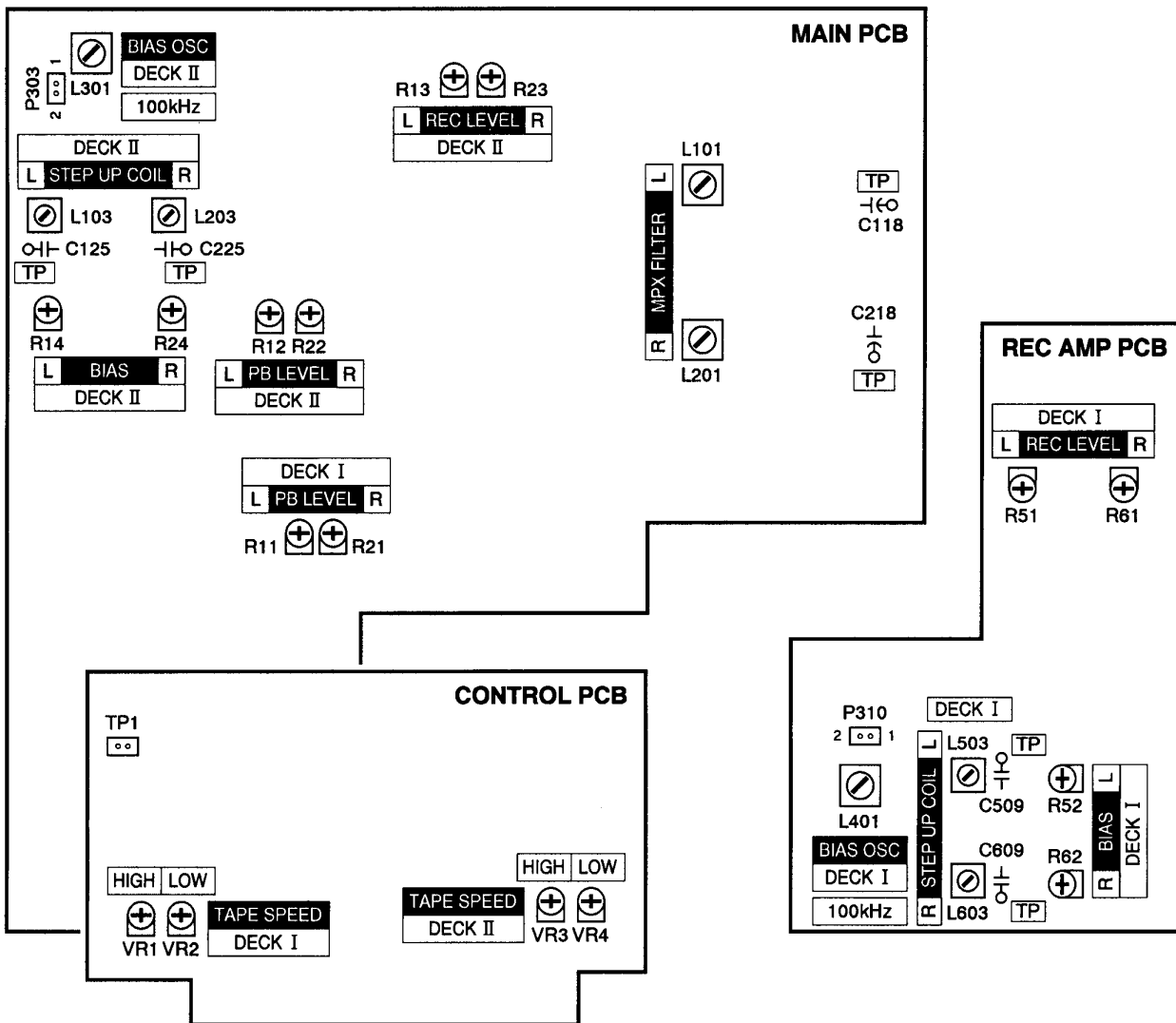


Fig. 3-2

DC520

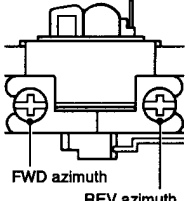
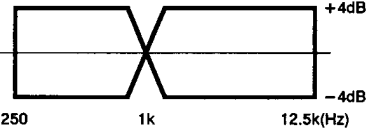
3-2-3 Playback performance

Deck settings :

Mode : PLAY
DOLBY NR Switch : OFF

TEAC test tapes :

MTT-150C : For Dolby level calibration
MTT-25702 : For playback frequency response check NORMAL tape
MTT-5512 : For S/N check NORMAL tape

ITEM	SETTING	INPUT SIGNAL	ADJUSTMENTS	MEASURING POINTS, RESULT	REMARKS
1. Head azimuth adjustment	Connection : Fig. 3-4 Check/adjust in FWD, REV respectively FWD, REV	MTT-150C	Check	OUTPUT : Phase : within 45° (Fig. 3-5)	
		MTT-25702 (12.5kHz)	Azimuth screws	OUTPUT : Maximum output level at L & R-ch Lch, Rch	
2. DOLBY level	Connection : Fig. 3-6 FWD PLAY	MTT-150C	R11/R21	TP; C118⊖/C218⊖ : - 6dB (388mV)	PLAY I REC/PLAY I
			R12/R22		REC/PLAY II
3. Playback output level	Connection : Fig. 3-3 FWD/REV PLAY	MTT-150C	Check	OUTPUT : - 4.5 ± 1dB (411mV~518mV)	Ref. output level
4. Meter level		MTT-150C	Check	PEAK LEVEL METER: ☐ mark ± 1 dot	
5. PHONES output level PHONES	Connection : Fig. 3-7	MTT-150C	Check	PHONES : - 19 ± 3dB (61.6mV~123mV)	8 Ω load 8 Ω
6. Playback frequency response	Connection : Fig. 3-3	MTT-25702	Check		
7. Playback S/N ratio	Connection : Fig. 3-3	MTT-5512 Playback the leader tape portion	Check	46dB min.	Ratio of ref. level to noise

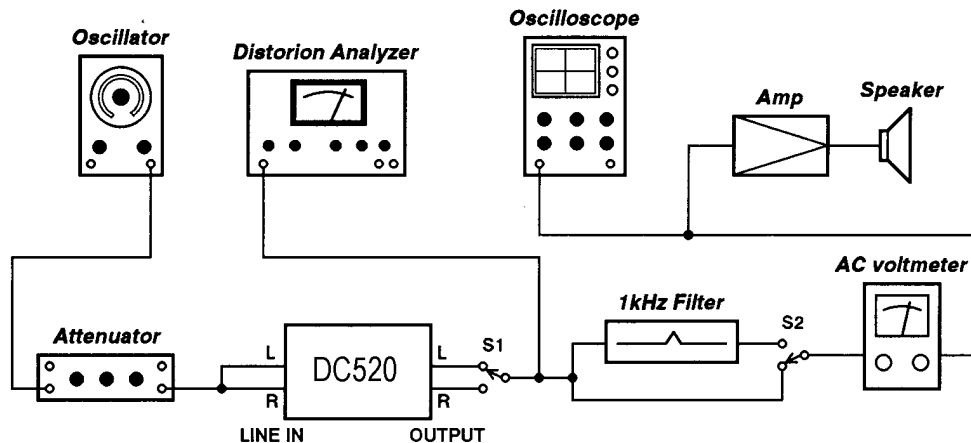


Fig. 3-3 Basic test setup

DC520

3-2-4 Monitor performance

Deck settings :

Mode : REC-PAUSE

DOLBY NR Switch : OFF

ITEM	SETTING	INPUT SIGNAL	ADJUSTMENTS	MEASURING POINTS, RESULT	REMARKS
8. Min. LINE Input level	Connection : Fig. 3-3 REC LEVEL Control:MAX BALANCE Control:Center	LINE IN : 400Hz/- 19dB (87mV)	Check	OUTPUT : - 4.5 ± 3dB (327mV~652mV)	
9. Min. MIC Input level	Connection : Fig. 3-3 REC LEVEL Control:MAX BALANCE Control:Center	MIC : 400Hz/- 67dB (0.346mV)	Check	OUTPUT : - 4.5 ± 3dB (327mV~652mV)	
10. Specified LINE Input level	Connection : Fig. 3-3	LINE IN : 400Hz/- 9dB (275mV)	REC LEVEL Control BALANCE Control	OUTPUT : - 4.5dB (462mV)	After adjusting, do not move (Specific position)
11. Monitor S/N ratio	Connection : Fig. 3-3	LINE IN : No signal	Check	60dB min.	Ratio of ref. level to noise

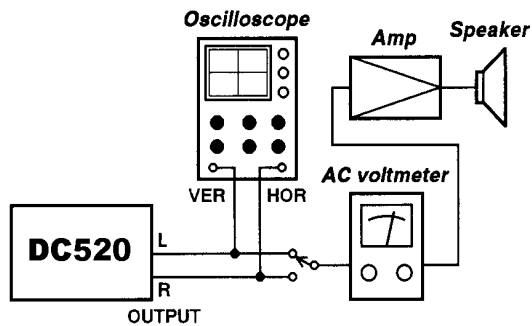


Fig. 3-4 Test setup for azimuth check

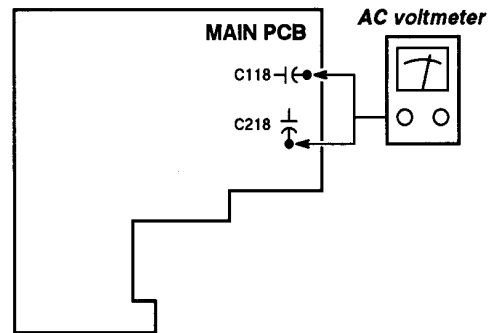


Fig. 3-6 Test setup for DOLBY level adjustment

0° (in phase) 45° 90° 135° 180° (out of phase)

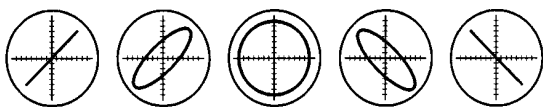


Fig. 3-5 Confirming phase relationship

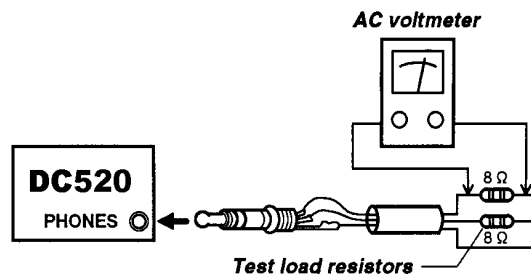


Fig. 3-7 Test setup for PHONES check

DC520

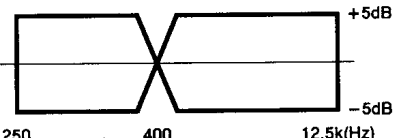
3-2-5 Recording performance

Deck settings :

Mode : REC/PLAY
 DOLBY NR Switch : OFF
 REC LEVEL Control : Specified position (Item10)
 BALANCE Control : Specified position (Item10)

TEAC recording test tapes :

MTT-5512 : For NORMAL
 MTT-5562 : For CrO₂
 MTT-5571 : For METAL

ITEM	SETTING	INPUT SIGNAL	ADJUSTMENTS	MEASURING POINTS, RESULT	REMARKS
12. Bias osc frequency	Connection : Fig. 3-8 TAPE : MTT-5512 Mode : REC	LINE IN : No signal	L301	P303-1 : 100kHz	REC/ PLAY II
			L401	P310-2 : 100kHz	REC/ PLAY I
13. Step up coll	Connection : Fig. 3-9 TAPE : MTT-5571 Mode : REC	LINE IN : No signal	L103/L203	TP ; C125/C225 : Min. DC voltage	REC/ PLAY II
			L503/L603	TP ; C509/C609 : Min. DC voltage	REC/ PLAY I
14. Record bias	Connection : Fig. 3-3 TAPE : MTT-5512	LINE IN : 250Hz/10kHz - 42dB (6.16mV)	R14/R24	OUTPUT : Nearly equal level at both frequencies	REC/ PLAY II
			R52/R62		REC/ PLAY I
15. MPX filter	Connection : Fig. 3-3 Mode : REC	LINE IN : 19kHz/- 12dB (195mV)	L101/L201	30dB min.	Ratio of ref. level to signal
16. Record level adjustment	Connection : Fig. 3-3 TAPE : MTT-5512	LINE IN : 400Hz/- 12dB (195mV)	R13/R23	OUTPUT : - 7.5dB (327mV)	REC/ PLAY II
			R51/R61		REC/ PLAY I
17. Record level check	Connection : Fig. 3-3 TAPE : MTT-5562 MTT-5571	LINE IN : 400Hz/- 12dB (195mV)	Check	OUTPUT : - 7.5 ± 1dB (291mV~367mV)	
18. Total harmonic distortion	Connection : Fig. 3-3 TAPE : MTT-5512 MTT-5562 MTT-5571	LINE IN : 400Hz/- 12dB (195mV)	Check	NORMAL : 2.0 % or less CrO ₂ : 2.5 % or less METAL : 2.5 % or less	
19. Overall frequency response	Connection : Fig. 3-3 TAPE : MTT-5512 MTT-5562 MTT-5571	LINE IN : 250Hz~12.5kHz - 42dB (6.16mV)	Check		
20. Overall S/N ratio	Connection : Fig. 3-3 TAPE : MTT-5512 MTT-5562 MTT-5571	LINE IN : No signal	Check	NORMAL : 45dB min. CrO ₂ : 46dB min. METAL : 46dB min.	Ratio of ref. level to noise

DC520

ITEM	SETTING	INPUT SIGNAL	ADJUSTMENTS	MEASURING RESULT	REMARKS
21. Erase efficiency	Connection : Fig. 3-3 TAPE : MTT-5571 1kHz B.P.F in	LINE IN : 1kHz/+ 1dB (870mV)	Check	65dB min.	Ratio of the 1kHz recorded portion to the erased portion.
22. REC MUTE function REC MUTE	Connection : Fig. 3-3 TAPE : MTT-5571 1kHz B.P.F in	LINE IN : 1kHz/+ 1dB (870mV)	Check	55dB min.	Ratio of the 1kHz recorded portion to the "REC MUTE" portion.
23. Channel seperation	Connection : Fig. 3-3 TAPE : MTT-5562 1kHz B.P.F in	LINE IN : Lch 1kHz/- 9dB (275mV) Rch No signal	Check	35dB min.	Ratio of the 1kHz recorded portion (Lch) to the no signal portion (Rch).
24. Adjacent track crosstalk	Connection : Fig. 3-3 TAPE : MTT-5571	LINE IN : Lch No signal Rch 125Hz/- 9dB (275mV)	Check	40dB min.	Invert tape and play Rch track. Check leakage level against the output reference of previously recorded portion.

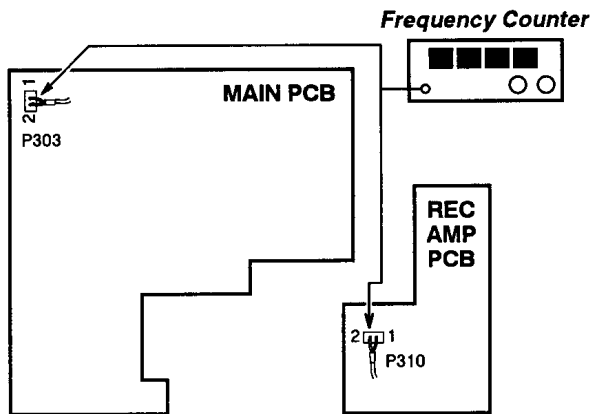


Fig. 3-8 Test setup for bias OSC adjustment

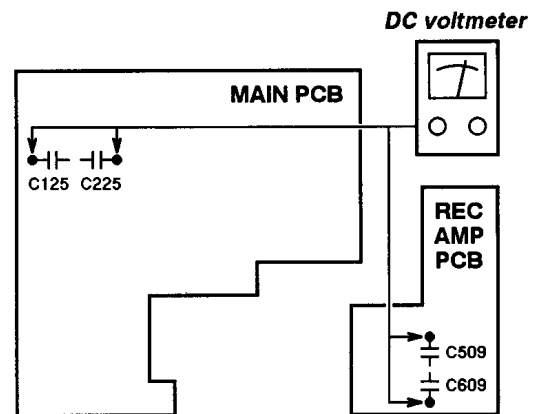
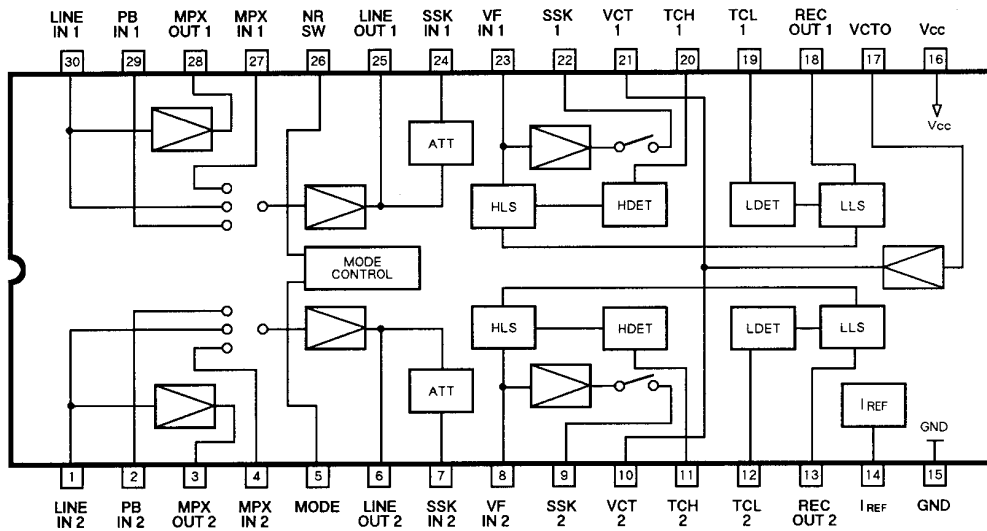


Fig. 3-9 Test setup for step up coil adjustment

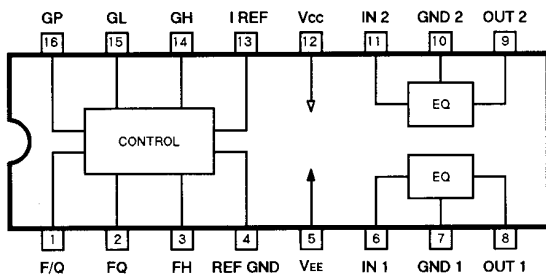
DC520

IC BLOCK DIAGRAMS

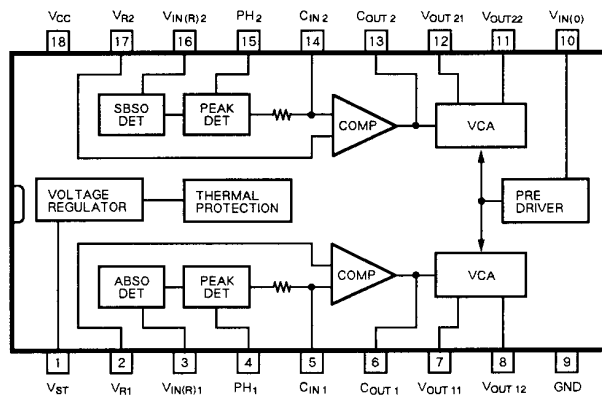
U305 CXA1331S



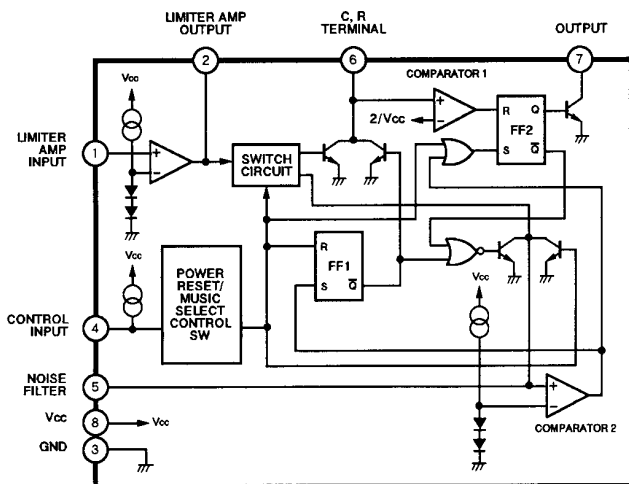
U308 CXA1198AP



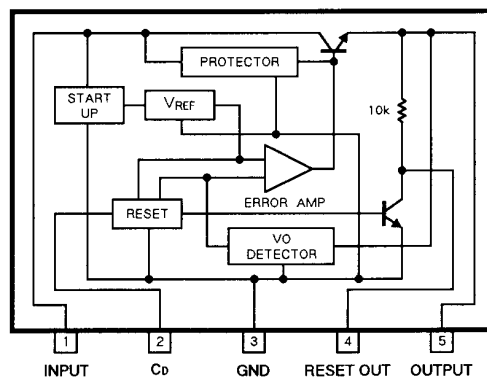
U310, U403 uPC1297CA



U311 M51143AL

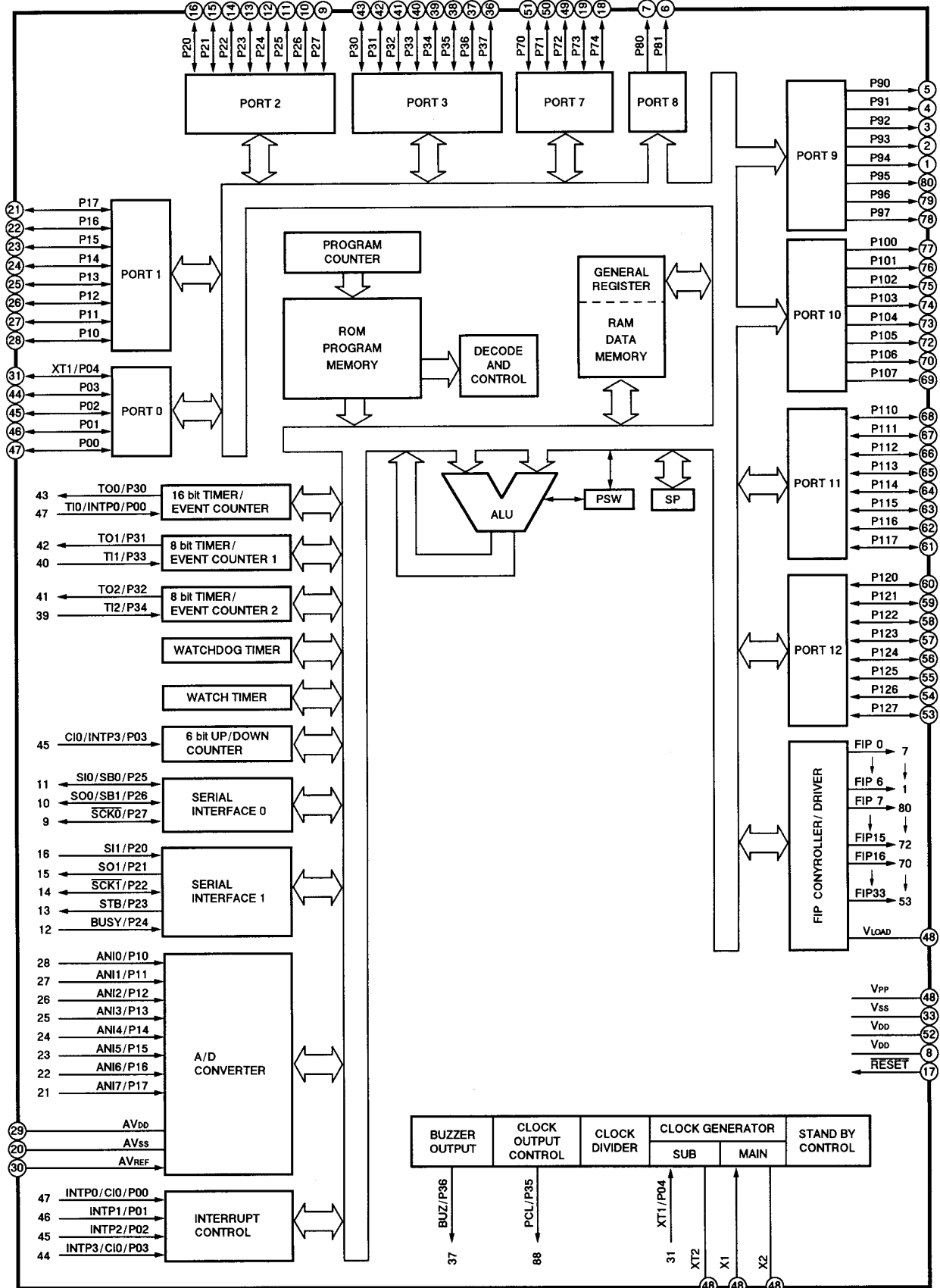


U41 L78LR05D



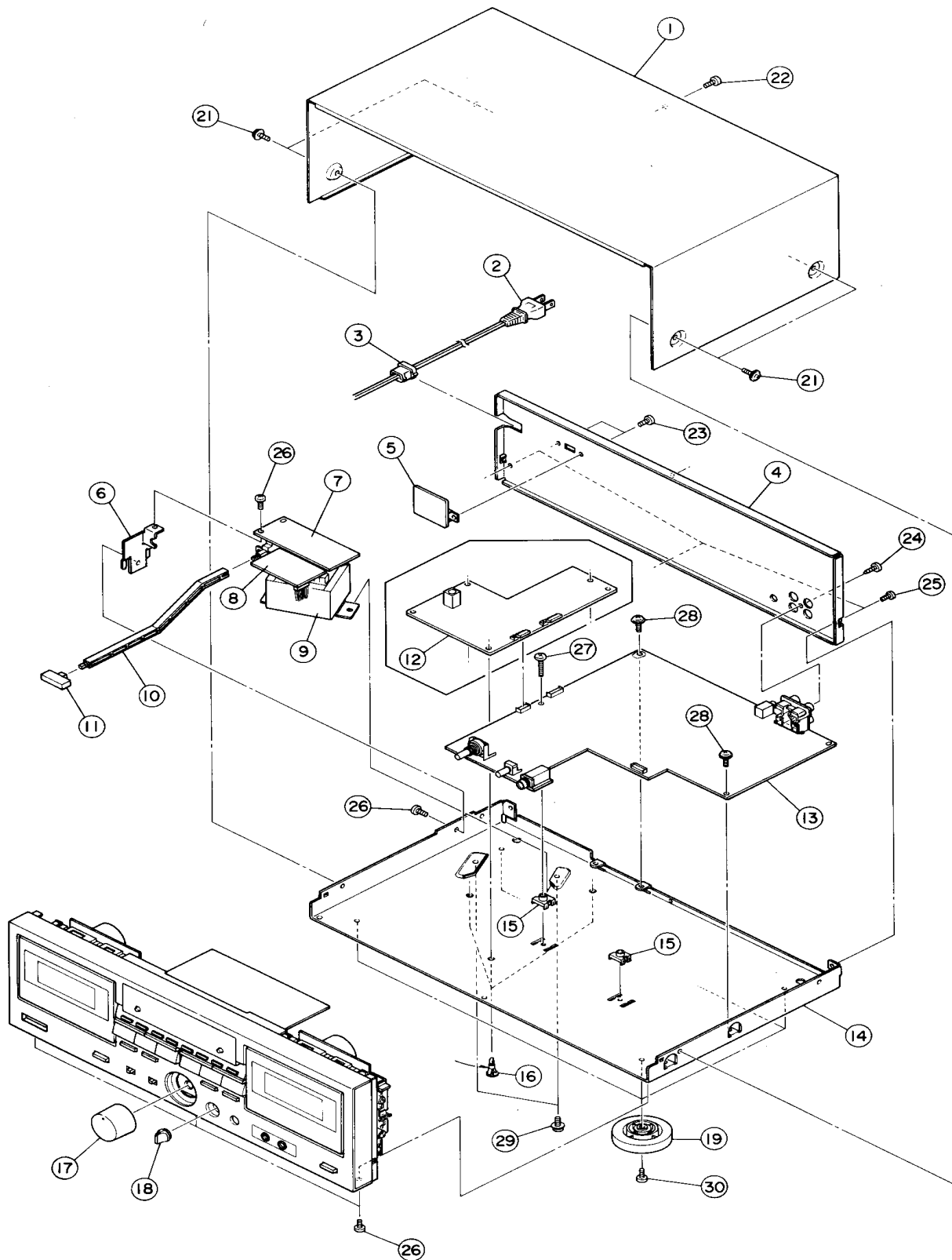
DC520

U42 uPD78042GF



DC520

EXPLODED VIEWS AND PARTS LIST



DC520

EXPLODED VIEW

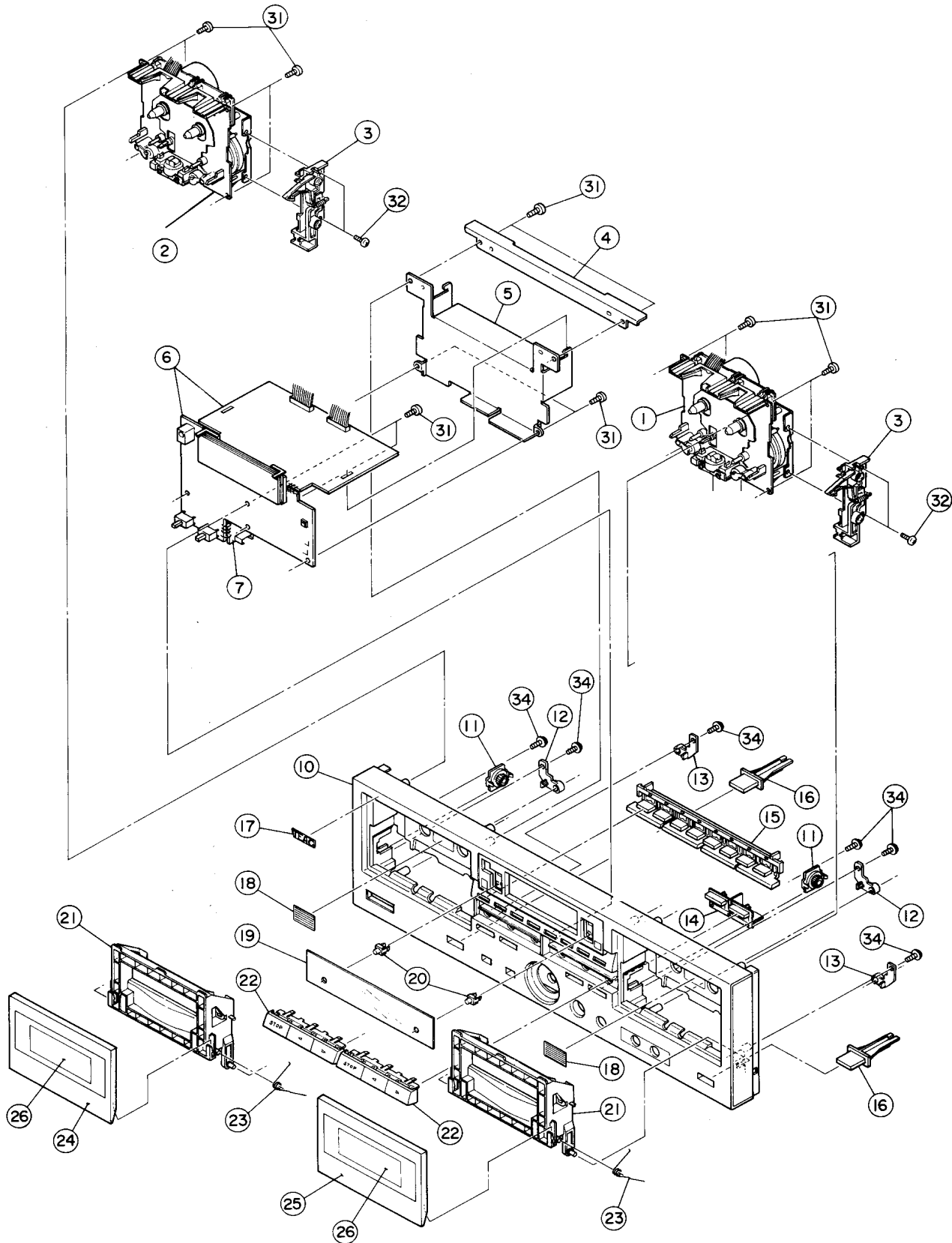
REF.NO.	PARTS NO.	DESCRIPTION
1- 1	9260155903	BONNET
1- 2	△ 9109025710	AC CORD, CEE [E]
	△ 9109025810	AC CORD, UL [GE]
	△ 9109025910	AC CORD, BS [UK]
	△ 9109026010	AC CORD [A]
	△ 9109026110	AC CORD [J]
	△ 9109026210	AC CORD, UL [US,C]
1- 3	△ 9121000102	BUSHING, #2271
1- 4	9260181501	REAR PANEL [US,C]
	9260183101	REAR PANEL [GE]
	9260185901	REAR PANEL [J,E,UK,A]
1- 5	9145123500	SELECTOR SW PCB ASSY [GE]
1- 6	9260175500	LINKAGE BRACKET
1- 7	9145123400	TRANS PCB A ASSY [US,C]
	9145123410	TRANS PCB A ASSY [E,UK,A]
	9145123420	TRANS PCB A ASSY [GE]
	9145123430	TRANS PCB A ASSY [J]
1- 8	9145123600	TRANS PCB B ASSY
1- 9	△ 9125101000	POWER TRANSFORMER [US,C]
	△ 9125101200	POWER TRANSFORMER [J,GE,E,UK,A]
1-10	9260182600	POWER LINKAGE
1-11	9260132900	POWER BUTTON
	9145123113	MAIN PCB ASSY
1-14	-----	MAIN CHASSIS
1-15	9260151300	PCB SUPPORT
1-17	9260156500	VR KNOB
1-18	9260151001	PAN CAP KNOB
1-19	9260113901	FOOT ASSY
1-21	9783053006	SCREW, CAP-S M3X6 (BLK)
1-22	9783593008	SCREW, C-TITE M3X8 (NI-BLK)
1-23	9783233008	SCREW, BTT-S M3X8 (BLK) [GE]
1-24	9783613008	SCREW, BTT-P M3X8 (BLK)
1-25	9783233006	SCREW, BTT-S M3X6 (BLK)
1-26	9783203006	SCREW, BTT-S M3X6
1-27	9783203014	SCREW, BTT-S M3X14
1-28	9783103006	SCREW, CAP-S M3X6
1-29	9783294008	SCREW, BTB-S M4X8
1-30	9783203008	SCREW, BTT-S M3X8

PACKING/ACCESSORIES

PARTS NO.	DESCRIPTION
9101408701	OWNER'S MANUAL, ENGLISH
9218212500	OUTER CARTON
9218212600	TOP FOAM
9218212700	BOTTOM FOAM

DC520

EXPLODED VIEW-2



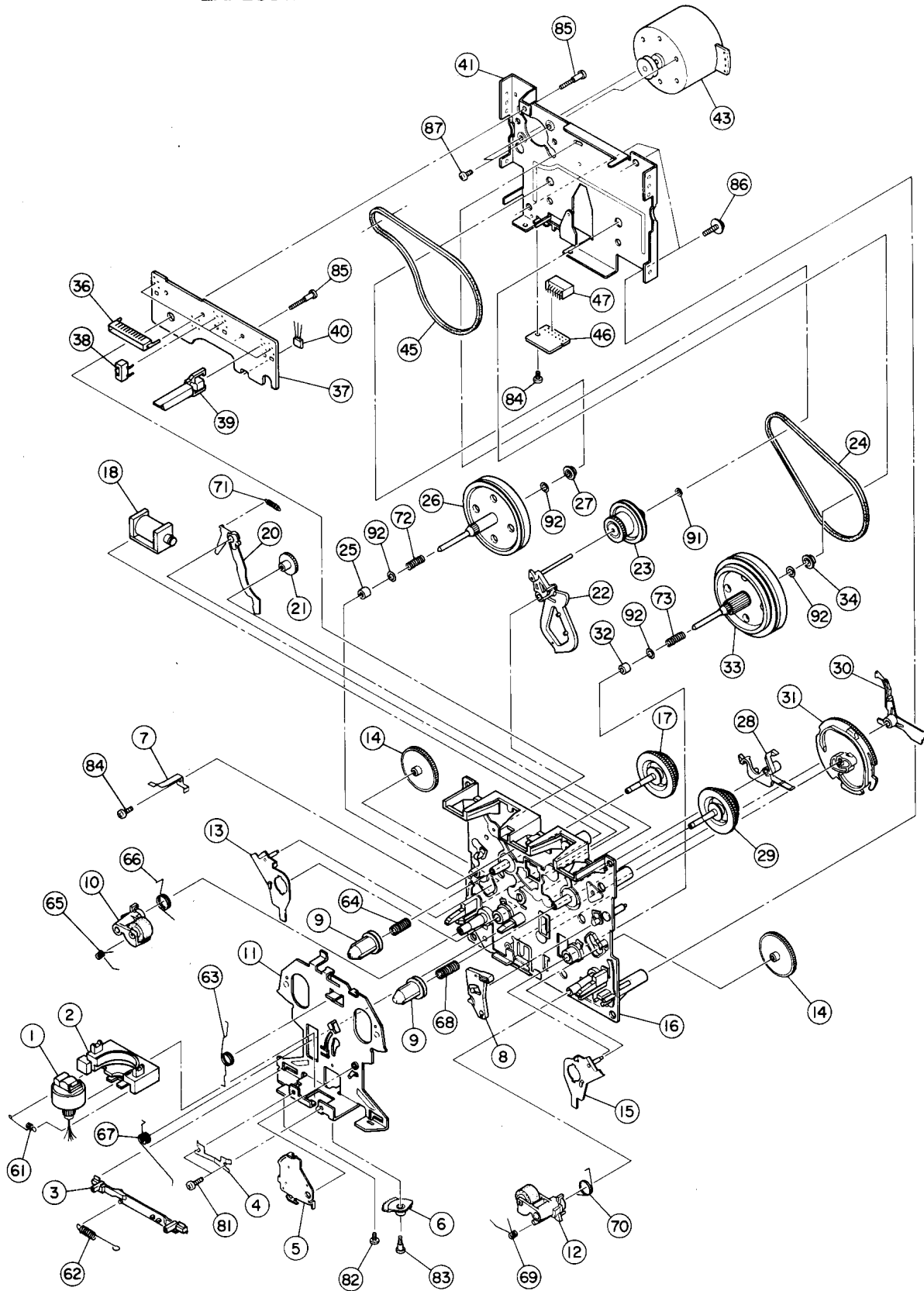
DC520

EXPLODED VIEW-2

REF.NO.	PARTS NO.	DESCRIPTION	REMARKS
2- 1	*9278033500	MECH ASSY, R/P CRP-482	DECK 2, DECK 1
2- 2	*9278033600	MECH ASSY, PLAY CRP-483	
2- 3	9260185401	EJECT ASSY	
2- 4	*9260181602	TOP BRACKET	
2- 5	*9260185302	SHIELD PLATE	
2- 6	*9145123211	CONTROL PCB ASSY	
2- 7	*9145123300	CONNECTOR PCB ASSY	
2-10	*9260188100	FRONT PANEL ASSY	
2-11	9260077301	DAMPER	
2-12	9260185001	STOPPER CASE, L	
2-13	*9260185101	STOPPER CASE, R	
2-14	*9260182001	REC BUTTON	
2-15	9260182201	FF/REW BUTTON	
2-16	9260182501	EJECT BUTTON	
2-17	*9260188300	TEAC EMBLEM	
2-18	*5800822400	REFLECT TAPE	
2-19	*9260183302	METER COVER [US,C,GE,A]	
	*9260186102	METER COVER [J,E,UK]	
2-20	*9260182400	CLEAR BUTTON	
2-21	*9260181901	READ CASE	
2-22	*9260182101	PLAY BUTTON	
2-23	*9260183201	CASE SPRING	
2-24	*9260181801	READ DOOR A	
2-25	*9260185601	READ DOOR B	
2-26	*9260183400	L/D COVER	
2-31	*9783603008	SCREW, BTT-P M3X8	
2-32	*9783202006	SCREW, BTT-S M2X6	
2-34	*9783413008	SCREW, CAP-P M3X8 (BLK)	

DC520

EXPLODED VIEW-3



DC520

EXPLODED VIEW-3

REF.NO.	PARTS NO.	DESCRIPTION	REMARKS
3- 1	9278336800	ASSY HOLDER HEAD	DECK 2, DECK 1
	9278330000	ASSY HOLDER HEAD	
3- 2	9278330100	FLAME HEAD	
3- 3	9278330200	LEVER HEAD	
3- 4	9278330300	SPRING AZIMUTH	
3- 5	9278330400	ASSY ARM ASSIST	
3- 6	9278330500	GEAR ARM HEAD	
3- 7	9278330600	SPRING CASSETTE	
3- 8	9278330700	EJECT LOCK	
3- 9	9278330800	CAP REEL	
3-10	9278330900	ASSY PINCH ARM L	
3-11	9278331000	CHASSIS HEAD	
3-12	9278331100	ASSY PINCH ARM R	
3-13	9278331200	ARM PLAY L	
3-14	9278331300	GEAR PLAY	
3-15	9278331400	ARM PLAY R	
3-16	9278331500	CHASSIS OS.	
3-17	9278331600	ASSY SUB REEL L	
3-18	9278331700	SOLENOID	
3-20	9278331900	ARM RVS	
3-21	9278332000	GEAR FF	
3-22	9278332100	ASSY ARM FR	
3-23	9278332200	ASSY PULLEY FR	
3-24	9278332300	BELT FR	
3-25	9278332400	METAL	
3-26	9278332500	ASSY FLYWHEEL L	
3-27	9278332600	METAL	
3-28	9278332700	ARM BRAKE	
3-29	9278332800	ASSY SUB REEL R	
3-30	9278332900	ARM TRIGGER	
3-31	9278333000	GEAR CAM	
3-32	9278333100	METAL	
3-33	9278333200	ASSY FLYWHEEL R	
3-34	9278333300	METAL	
3-36	9278333500	HOLER WIRE	
3-37	9278333600	P.C.BOARD	
3-38	9278333700	SWITCH MODE	
3-39	9278333800	SWITCH LEAF	
3-40	9278333900	HALL IC.	
3-41	9278334000	BRACKET FW	
3-43	9278334100	ASSY MOTOR	
3-45	9278334300	BELT MAIN	
3-46	9278334400	P.C.BOARD	
3-47	9278334500	HOUSING	
3-61	9278334600	SPRING	
3-62	9278334700	SPRING	
3-63	9278334800	SPRING	
3-64	9278334900	SPRING	
3-65	9278335000	SPRING	
3-66	9278335100	SPRING	
3-67	9278335200	SPRING	
3-68	9278335300	SPRING	
3-69	9278335400	SPRING	
3-70	9278335500	SPRING	
3-71	9278335600	SPRING	
3-72	9278335700	SPRING	
3-73	9278335800	SPRING	
3-81	9278335900	SCREW	
3-82	9278336000	SCREW	
3-83	9278336100	SCREW	
3-84	9278336200	SCREW	
3-85	9278336300	SCREW	
3-86	9278336400	SCREW	
3-87	9278154700	SCREW	
3-91	9278336600	WASHER	
3-92	9278336700	WASHER	

DC520 PARTS LIST 120v USA

NOTE:

The discrete, commercially available components: RESISTORS and CAPACITORS are included only to supply reference designators; they may not be stocked. Obtain locally if possible, assuring the description and value of the part is identical. Or if necessary, call harman/kardon customer service 1-800-422-8027.

PART #	DESCRIPTION	Q'TY	REFERENCE DESIG.
RESISTORS			
91720213-00	VR RK09K1110617 100KW*1	1.000	R32
91720217-00	VR RK16K12B0010 50KA*2	1.000	R31
91120570-10	VR,SEMI-FIXED 22K (B)	2.000	R13,23
91120598-10	SEMI-FIXED 10K TB067A	2.000	R11,21
91120598-10	SEMI-FIXED 10K TB067A	2.000	R12,22
91120598-10	SEMI-FIXED 10K TB067A	2.000	R14,24
91130340-50	RESISTOR R-16 TP JFT 27	1.000	R358
91130360-50	RESISTOR R-16 TP JFT 33	2.000	R125, 225
91130420-50	RESISTOR R-16 TP JFT 56	2.000	R106, 206
91130420-50	RESISTOR R-16 TP JFT 56	2.000	R114, 214
91130440-50	RESISTOR R-16 TP JFT 68	2.000	R140, 240
91130600-50	RESISTOR R-16 TP JFT 330	1.000	R371
91130660-50	RESISTOR R-16 TP JFT 560	2.000	R121, 221
91130720-50	RESISTOR R-16 TP JFT 1K	2.000	R101, 201
91130720-50	RESISTOR R-16 TP JFT 1K	2.000	R109, 209
91130720-50	RESISTOR R-16 TP JFT 1K	2.000	R126, 226
91130720-50	RESISTOR R-16 TP JFT 1K	1.000	R302
91130720-50	RESISTOR R-16 TP JFT 1K	1.000	R357
91130720-50	RESISTOR R-16 TP JFT 1K	1.000	R370
91130800-50	RESISTOR R-16 TP JFT 2.2K	2.000	R108, 208
91130800-50	RESISTOR R-16 TP JFT 2.2K	2.000	R116, 216
91130800-50	RESISTOR R-16 TP JFT 2.2K	2.000	R131, 231
91130800-50	RESISTOR R-16 TP JFT 2.2K	2.000	R133, 233
91130800-50	RESISTOR R-16 TP JFT 2.2K	1.000	R311
91130820-50	RESISTOR R-16 TP JFT 2.7K	2.000	R117, 217
91130820-50	RESISTOR R-16 TP JFT 2.7K	2.000	R123, 223
91130820-50	RESISTOR R-16 TP JFT 2.7K	1.000	R356
91130880-50	RESISTOR R-16 TP JFT 4.7K	2.000	R104, 204
91130880-50	RESISTOR R-16 TP JFT 4.7K	2.000	R112, 212
91130880-50	RESISTOR R-16 TP JFT 4.7K	1.000	R359
91130900-50	RESISTOR R-16 TP JFT 5.6K	2.000	R129, 229
91130900-50	RESISTOR R-16 TP JFT 5.6K	1.000	R301
91130910-50	RESISTOR R-16 TP JFT 6.2K	2.000	R118, 218
91130920-50	RESISTOR R-16 TP JFT 6.8K	2.000	R107, 207
91130920-50	RESISTOR R-16 TP JFT 6.8K	2.000	R115, 215
91130930-50	RESISTOR R-16 TP JFT 7.5K	1.000	R352
91130940-50	RESISTOR R-16 TP JFT 8.2K	2.000	R130, 230
91130960-50	RESISTOR R-16 TP JFT 10K	2.000	R128, 228
91130960-50	RESISTOR R-16 TP JFT 10K	2.000	R132, 232
91130960-50	RESISTOR R-16 TP JFT 10K	2.000	R136, 236
91130960-50	RESISTOR R-16 TP JFT 10K	1.000	R312
91130980-50	RESISTOR R-16 TP JFT 12K	2.000	R139, 239
91131020-50	RESISTOR R-16 TP JFT 18K	2.000	R127, 227

91131020-50	RESISTOR R-16 TP JFT 18K	1.000	R354
91131040-50	RESISTOR R-16 TP JFT 22K	1.000	R351
91131040-50	RESISTOR R-16 TP JFT 22K	2.000	R367, 368
91131050-50	RESISTOR R-16 TR JFT 24K	2.000	R120, 220
91131050-50	RESISTOR R-16 TR JFT 24K	1.000	R313
91131050-50	RESISTOR R-16 TR JFT 24K	1.000	R353
91131060-50	RESISTOR R-16 TP JFT 27K	1.000	R303
91131080-50	RESISTOR R-16 TP JFT 33K	2.000	R134, 234
91131080-50	RESISTOR R-16 TP JFT 33K	1.000	R347
91131090-50	RESISTOR R-16 TP 36K	1.000	R334
91131110-50	RESISTOR R-16 TP JFT 43K	1.000	R335
91131110-50	RESISTOR R-16 TP JFT 43K	1.000	R342
91131120-50	RESISTOR R-16 TP JFT 47K	2.000	R138, 238
91131120-50	RESISTOR R-16 TP JFT 47K	7.000	R304- 310
91131120-50	RESISTOR R-16 TP JFT 47K	1.000	R315
91131120-50	RESISTOR R-16 TP JFT 47K	1.000	R350
91131120-50	RESISTOR R-16 TP JFT 47K	2.000	R360, 361
91131130-50	RESISTOR R-16 TP JFT 51K	1.000	R316
91131130-50	RESISTOR R-16 TP JFT 51K	1.000	R333
91131140-50	RESISTOR R-16 TP JFT 56K	2.000	R102, 202
91131140-50	RESISTOR R-16 TP JFT 56K	2.000	R110, 210
91131140-50	RESISTOR R-16 TP JFT 56K	1.000	R318
91131140-50	RESISTOR R-16 TP JFT 56K	1.000	R336
91131140-50	RESISTOR R-16 TP JFT 56K	2.000	R339, 341
91131150-50	RESISTOR R-16 TP JFT 62K	1.000	R321
91131160-50	RESISTOR R-16 TP JFT 68K	1.000	R330
91131160-50	RESISTOR R-16 TP JFT 68K	1.000	R340
91131160-50	RESISTOR R-16 TP JFT 68K	1.000	R348
91131170-50	RESISTOR R-16 TP JFT 75K	1.000	R329
91131170-50	RESISTOR R-16 TP JFT 75K	1.000	R332
91131180-50	RESISTOR R-16 TP JFT 82K	1.000	R344
91131180-50	RESISTOR R-16 TP JFT 82K	1.000	R346
91131190-50	RESISTOR R-16 TP 91K	1.000	R320
91131190-50	RESISTOR R-16 TP 91K	2.000	R322, 323
91131190-50	RESISTOR R-16 TP 91K	1.000	R327
91131190-50	RESISTOR R-16 TP 91K	1.000	R345
91131200-50	RESISTOR R-16 TP JFT 100K	2.000	R122, 222
91131200-50	RESISTOR R-16 TP JFT 100K	2.000	R124, 224
91131210-50	RESISTOR R-16 TP 110K	1.000	R324
91131210-50	RESISTOR R-16 TP 110K	1.000	R328
91131220-50	RESISTOR R-16 TP JFT 120K	2.000	R103, 203
91131220-50	RESISTOR R-16 TP JFT 120K	2.000	R111, 211
91131220-50	RESISTOR R-16 TP JFT 120K	1.000	R319
91131230-50	RESISTOR R-16 TP JPT 130K	1.000	R314
91131230-50	RESISTOR R-16 TP JPT 130K	1.000	R326
91131230-50	RESISTOR R-16 TP JPT 130K	1.000	R338
91131240-50	RESISTOR R-16 TP JFT 150K	2.000	R135, 235
91131240-50	RESISTOR R-16 TP JFT 150K	1.000	R317
91131240-50	RESISTOR R-16 TP JFT 150K	1.000	R325
91131240-50	RESISTOR R-16 TP JFT 150K	1.000	R343
91131260-50	RESISTOR R-16 TP JFT 180K	1.000	R337
91131260-50	RESISTOR R-16 TP JFT 180K	1.000	R349
91131280-50	RESISTOR R-16 TP JFT 220K	1.000	R331
91131440-50	RESISTOR R-16 TP JFT 1M	2.000	R105, 205
91131440-50	RESISTOR R-16 TP JFT 1M	2.000	R113, 213
91112520-00	RESISTOR ARRAY 100K*10	1.000	R61

91120599-10	SEMI-FIXED 2.2K TB067A	4.000	VR1-4
91130700-50	RESISTOR R-16 TP JFT 820	1.000	R41
91130720-50	RESISTOR R-16 TP JFT 1K	1.000	R51
91130720-50	RESISTOR R-16 TP JFT 1K	1.000	R53
91130720-50	RESISTOR R-16 TP JFT 1K	1.000	R55
91130720-50	RESISTOR R-16 TP JFT 1K	1.000	R57
91130870-50	RESISTOR R-16 TP JFT 4.3K	1.000	R47
91130870-50	RESISTOR R-16 TP JFT 4.3K	1.000	R49
91130880-50	RESISTOR R-16 TP JFT 4.7K	1.000	R50
91130880-50	RESISTOR R-16 TP JFT 4.7K	1.000	R52
91130880-50	RESISTOR R-16 TP JFT 4.7K	1.000	R54
91130880-50	RESISTOR R-16 TP JFT 4.7K	1.000	R56
91130920-50	RESISTOR R-16 TP JFT 6.8K	1.000	R46
91130920-50	RESISTOR R-16 TP JFT 6.8K	1.000	R48
91130960-50	RESISTOR R-16 TP JFT 10K	1.000	R43
91131040-50	RESISTOR R-16 TP JFT 22K	1.000	R42
91131040-50	RESISTOR R-16 TP JFT 22K	2.000	R44,45
91131040-50	RESISTOR R-16 TP JFT 22K	1.000	R59
91131040-50	RESISTOR R-16 TP JFT 22K	4.000	R62-65
91130820-50	RESISTOR R-16 TP JFT 2.7K	1.000	R5
91130980-50	RESISTOR R-16 TP JFT 12K	1.000	R7
91131180-50	RESISTOR R-16 TP JFT 82K	1.000	R1
91131200-50	RESISTOR R-16 TP JFT 100K	1.000	R6
91131290-50	RESISTOR R-16 TP JFT 240K	1.000	R4
91131310-50	R., CARBON R-16 JFT 300K	1.000	R3
91131360-50	RESISTOR R-16 TP JFT 470K	1.000	R2

CAPACITORS

91150472-20	C,P.L 200PF 100V J	2.000	C130, 230
91151832-01	C.,PP 0.01UF 100V J	1.000	C309
91155390-21	C,MYLAR 0.0022UF 50V J	2.000	C114, 214
91155390-21	C,MYLAR 0.0022UF 50V J	2.000	C115, 215
91155470-21	C,MYLAR 0.0047UF 50V J	1.000	C308
91155550-21	C,MYLAR 0.01UF 50V J TP	2.000	C124, 224
91155630-21	C,MYLAR 0.022UF 50V J TP	2.000	C126, 226
91155650-21	C,MYLAR 0.027M 50VJ	2.000	C103, 203
91155650-21	C,MYLAR 0.027M 50VJ	2.000	C108, 208
91155710-21	C,MYLAR 0.047UF 50V J TP	2.000	C125, 225
91155770-21	C,MYLAR 0.082UF 50V J TP	1.000	C307
91157741-20	C,CERAMIC TP 10P 50VK SL	1.000	C304
91157871-20	C,CERAMIC TP 100P 50VK SL	2.000	C129, 229
91157871-20	C,CERAMIC TP 100P 50VK SL	2.000	C132, 232
91157871-20	C,CERAMIC TP 100P 50VK SL	1.000	C315
91157891-20	C,CERAMIC TP 150P 50VK SL	2.000	C123, 223
91157921-20	C,CERAMIC 220PF/50VK(SL)	2.000	C133, 233
91157941-20	C,CERAMIC TP 330P 50VK SL	2.000	C102, 202
91157971-20	C,CERAMIC TP 560P 50VK SL	2.000	C127, 227
91157991-20	C,CERAMIC TP 820P 50VKYB	2.000	C101, 201
91158001-20	C,CERAMIC 0.001UF 50V K	2.000	C106, 206
91158001-20	C,CERAMIC 0.001UF 50V K	2.000	C107, 207
91158001-20	C,CERAMIC 0.001UF 50V K	2.000	C111, 211
91158001-20	C,CERAMIC 0.001UF 50V K	2.000	C131, 231
91158001-20	C,CERAMIC 0.001UF 50V K	2.000	C318, 319
91158188-20	C,CERAMIC 0.01UF 50V Z YF	2.000	C119, 219
91158188-20	C,CERAMIC 0.01UF 50V Z YF	2.000	C313, 314

91170320-20	C,ELEC 0.33UF/50V (TP)	2.000	C117, 217
91170360-20	C,ELEC 0.47M 50V TP	2.000	C120, 220
91170660-20	C,ELEC TP 1M 50V	2.000	C112, 212
91170660-20	C,ELEC TP 1M 50V	1.000	C301
91170810-20	C,ELEC TP 2.2M 50V	2.000	C105, 205
91170810-20	C,ELEC TP 2.2M 50V	2.000	C110, 210
91171110-20	C,ELEC TP 4.7M 50V	2.000	C134, 234
91171380-20	C,ELEC TP 10M 16V	2.000	C113, 213
91171380-20	C,ELEC TP 10M 16V	2.000	C118, 218
91171380-20	C,ELEC TP 10M 16V	2.000	C121, 221
91171380-20	C,ELEC TP 10M 16V	2.000	C122, 222
91171380-20	C,ELEC TP 10M 16V	2.000	C302, 303
91171390-20	C,ELEC TP 10M 25V	1.000	C305
91171970-20	C,ELEC TP100M 10V	2.000	C324, 325
91171990-20	C,ELEC 100UF/25V (TP)	1.000	C306
91172120-20	C,ELEC 220UF/10V	2.000	C104, 204
91172120-20	C,ELEC 220UF/10V	2.000	C109, 209
91172735-10	C,ELEC 2200M 16V P=5	1.000	C321
91172735-10	C,ELEC 2200M 16V P=5	1.000	C322
91172891-20	C,ELEC 0.56UF 50V	2.000	C116, 216
91173020-00	C,ELEC 3300M 16V	1.000	C320
91158188-20	C,CERAMIC 0.01UF 50V Z YF	1.000	C6
91158188-20	C,CERAMIC 0.01UF 50V Z YF	1.000	C8
91158238-20	C.CERAMIC 0.047UF/50VZ YF	1.000	C4
91171380-20	C,ELEC TP 10M 16V	1.000	C5
91172000-20	C,ELEC TP 100M 35V	1.000	C1
91172140-00	C,ELEC 220UF/25V	1.000	C7
91172150-00	C,ELEC 220M 35V	1.000	C2
91172290-00	C,ELEC 330M 25V	1.000	C3
91153811-20	C,METAL 0.12UF 50V J TP	1.000	C1
91153870-20	C,METAL 0.22UF 50V J TP	1.000	C2
91155630-21	C,MYLAR 0.022UF 50V J TP	1.000	C3
91200001-01	SPARK KILLER 0.0047M 250V	1.000	C401

IC'S

91670185-00	IC, L78LR05D-MA	1.000	U41
91670349-01	IC UPD 78042 FGF-023-3B9	1.000	U42
91670383-00	IC,REMO-CON SBX1976-52	1.000	U53
91670098-00	IC TC4066BP (14P)	2.000	U302, 304
91670098-00	IC TC4066BP (14P)	1.000	U306
91670111-00	IC,BU4066B (14P)	0.000	U302, 304
91670111-00	IC,BU4066B (14P)	0.000	U306
91670121-00	IC,NJM4558S	1.000	U307
91670128-00	IC,UPC1297CA (18P)	1.000	U310
91670140-00	IC, UPC4570C	2.000	U301, 303
91670189-10	IC,TC4051BP (16P)	1.000	U309
91670192-00	IC, CXA1331S	1.000	U305
91670196-00	IC, CXA1198AP	1.000	U308
91670237-00	IC,NJM4558L (8P)	1.000	U312
91670275-00	IC,M5F78M07L	1.000	U7
91670276-00	IC M5F79M07L	1.000	Q307
91670350-00	IC HD74HC14P	1.000	U1

TRANSISTORS

91630099-20	TR,2SA1015GR (TP)	1.000	Q301
91630112-20	DTR,DTA 124ES TP	6.000	U327- 332
91630112-20	DTR,DTA 124ES TP	3.000	U335- 337
91630112-20	DTR,DTA 124ES TP	2.000	U341, 342
91633094-20	TR,2SC1815GR (TP)	2.000	Q102, 202
91633094-20	TR,2SC1815GR (TP)	2.000	Q302, 303
91633104-20	DTR,DTC 124ES TP	1.000	U101
91633104-20	DTR,DTC 124ES TP	1.000	U201
91633104-20	DTR,DTC 124ES TP	5.000	U321- 325
91633104-20	DTR,DTC 124ES TP	3.000	U338- 340
91633104-20	DTR,DTC 124ES TP	1.000	U343
91633115-20	TR,2SC2240 GR TP	2.000	Q103, 203
91633115-20	TR,2SC2240 GR TP	1.000	Q304
91630099-20	TR,2SA1015GR (TP)	1.000	Q1
91630112-20	DTR,DTA 124ES TP	2.000	U45,46
91630112-20	DTR,DTA 124ES TP	1.000	U52
91630116-20	TR,TP 2SA1020Y	4.000	Q3-6
91633094-20	TR,2SC1815GR (TP)	1.000	Q2
91633104-20	DTR,DTC 124ES TP	2.000	U43,44
91633104-20	DTR,DTC 124ES TP	5.000	U47-51
91633094-20	TR,2SC1815GR (TP)	1.000	Q1

DIODES

91650221-50	DIODE TP 1SS133T	2.000	D101, 201
91650221-50	DIODE TP 1SS133T	6.000	D302- 307
91650251-50	DIODE SB160	2.000	D24,29
91650205-50	DIODE LT 1N4003 TP 0.6MM	2.000	D2,3
91650205-50	DIODE LT 1N4003 TP 0.6MM	1.000	D5
91650221-50	DIODE TP 1SS133T	5.000	D9-13
91650221-50	DIODE TP 1SS133T	1.000	D15
91650221-50	DIODE TP 1SS133T	5.000	D17-21
91650221-50	DIODE TP 1SS133T	1.000	D23
91650221-50	DIODE TP 1SS133T	1.000	D31
91650221-50	DIODE TP 1SS133T	2.000	D34-35
91650221-50	DIODE TP 1SS133T	1.000	D39
91650221-50	DIODE TP 1SS133T	3.000	D41-43
91650221-50	DIODE TP 1SS133T	1.000	D44
91650221-50	DIODE TP 1SS133T	2.000	D45,46
91660515-50	DIODE,ZENER MTZJ27B	1.000	D1
91660516-50	DIODE,ZENER MTZJ3.9B	1.000	D8
91650221-50	DIODE TP 1SS133T	4.000	D1-4

COILS

91220193-00	COIL,22MH EC46-223K-U	2.000	L102, 202
91220194-10	LOW-PASS FILTER,MPX	2.000	L101, 201
91730063-50	COIL 220MH EC36-221K-T5	2.000	L302, 303
91730077-00	STEP UP COIL	2.000	L103, 203
91730082-00	OSC COIL,100KHZ	1.000	L301

MISC.

91431710-00	PLUG CONNECTOR B3B-EH 3P	1.000	P305
-------------	--------------------------	-------	------

91431880-00	PIN JACK, 4P(YKC21-0066B)	1.000	J32
91432310-00	PLUG B3B-PH 3P	1.000	P304
91432390-00	PLUG,11P B11B-PH-K	1.000	P308
91432400-00	CONNECTOR PLUG,B12B-PH-K	1.000	P307
91433270-00	PHONE JACK (CPJ-065G)	1.000	J31
91434220-00	CONNECTOR TXC-P04X-A1	1.000	J33
92600698-01	HEAT SINK,SD385	2.000	
92940059-00	REC VR WASHER,9.1	1.000	
97818010-00	REC VR NUT,M9	1.000	
97832130-08	SCREW BTT-B M3*8	2.000	
97836130-08	SCREW BTT-P M3*8 (BLK)	1.000	
97888306-00	JUMPER WIRE	1.000	R374
97888306-00	JUMPER WIRE	1.000	C323
91070621-02	9P CONTROL WIRES A	1.000	J306
91070622-01	9P CONTROL WIRES B	1.000	J307
91350332-00	MODE SW (00231402)	2.000	SW21, 26
91360018-20	TACT SW (SKHVBE3520-TK)	5.000	SW1-5
91360018-20	TACT SW (SKHVBE3520-TK)	6.000	SW7-1 2
91360018-20	TACT SW (SKHVBE3520-TK)	2.000	SW14, 15
91360018-20	TACT SW (SKHVBE3520-TK)	3.000	SW17- 19
91360018-20	TACT SW (SKHVBE3520-TK)	2.000	SW23- 24
91431710-00	PLUG CONNECTOR B3B-EH 3P	1.000	J318
91433320-00	WIRE CONN,11P(52004-1110)	1.000	J319
91433330-00	WIRE CONN,13P(52004-1310)	1.000	J320
91600130-00	TP PIN JST, 2P B2P-SHF-1	1.000	TP1
91730084-10	OSC,CERAMIC EFOEC4194A4	1.000	X1
91740157-00	FL DISPLAY,BJ-185GKB	1.000	FL1
91551235-00	SELECTOR SW PCB,	1.000	
97831030-06	SCREW, CAP-S M3*6	2.000	
97832030-14	SCREW BTT-S M3*14	1.000	
97836030-08	SCREW,BTT-P M3*8	2.000	
91070962-00	4P SIG WIRE	1.000	P1
97834130-08	SCREW,CAP-P M3*8 BLK	2.000	
91090290-00	AC CABLE 2P (UL)	1.000	
91210001-02	BUSHING,#2271	1.000	
91251010-00	POWER TRANS,	1.000	
91350366-00	POWER SW,SDDL1027U-TK	1.000	S401
97888306-07	JUMPER WIRE, P=7.5MM	1.000	W169
97832030-06	SCREW,BTT-S M3*6	1.000	
97832030-06	SCREW,BTT-S M3*6	1.000	
97832940-08	SCREW, BTT-SSB M4*8	2.000	
92601832-01	SPRING CASE,	2.000	
92601850-01	STOPPER CASE,L	2.000	
92601851-01	STOPPER CASE,R	2.000	
92601853-04	SHIELD PLATE,	1.000	
92602731-02	PANEL	1.000	
92602732-00	FRAME (L)	1.000	
92602733-00	FRAME (R)	1.000	
92602735-00	INDICATOR	1.000	
92602736-00	PUSH BUTTON (POW)	1.000	
92602737-00	ROTARY KNOB (BAL)	1.000	
92602738-00	ROTARY KNOB (VOL)	1.000	
92602739-01	SLIDER	1.000	
92602741-01	LID WINDOW	2.000	
92602742-01	PUSH BUTTON (PLAY)	1.000	
92602744-01	PUSH BUTTON (FF/REW)	1.000	

92602745-01	PUSH BUTTON (PAUSE)	1.000	
92602747-01	WINDOW	1.000	
92602750-00	PUSH BUTTON (EJE)	2.000	
92602751-02	SLIDER (EJE)	2.000	
97830530-06	SCREW, CAP-S M3*6 (BLK)	4.000	
97834130-08	SCREW,CAP-P M3*8 BLK	4.000	
97835530-07	SCREW,STK 3*6.9	3.000	
97835930-08	SCREW,C-TITE M3*8(NI-BLK)	1.000	
97836030-08	SCREW,BTT-P M3*8	4.000	
92601139-02	FOOT ASSY, 56 (SILVER)	4.000	
92601248-00	FOOT CD-P3000	4.000	
92601249-02	FOOT CUSHION CD-P3000	4.000	
97832030-08	SCREW, BTT-S M3*8	4.000	
97832330-06	SCREW,BTT-S M3*6 (BLK)	3.000	
91070619-00	3P DECK 1 HEAD WIRES,	1.000	P301
91070620-00	5P DECK 2 HEAD WIRES,	1.000	P302/ 303
91070621-02	9P CONTROL WIRES A	1.000	J306
91070622-01	9P CONTROL WIRES B	1.000	J307
91070625-01	6P POWER WIRES,	1.000	J311
91070920-01	2P POWER LED WIRES	1.000	J312
91130700-50	RESISTOR R-16 TP JFT 820	2.000	D400, 401
91740193-00	LED SLR 342MG-3F	2.000	D60,6 1
91434420-00	CONNECTOR,TXC-P04P-A1	1.000	J311
91070619-00	3P DECK 1 HEAD WIRES,	1.000	P301
91070620-00	5P DECK 2 HEAD WIRES,	1.000	P302/ 303

DC520 PARTS LIST 230v EU

NOTE:

The discrete, commercially available components: RESISTORS and CAPACITORS are included only to supply reference designators; they may not be stocked. Obtain locally if possible, assuring the description and value of the part is identical. Or if necessary, call harman/kardon customer service 1-800-422-8027.

PART #	DESCRIPTION	Q'TY	REFERENCE DES
--------	-------------	------	---------------

RESISTORS

91120570-10	VR,SEMI-FIXED 22K (B)	2.000	R13,23
91120598-10	SEMI-FIXED 10K TB067A	2.000	R11,21
91120598-10	SEMI-FIXED 10K TB067A	2.000	R12,22
91120598-10	SEMI-FIXED 10K TB067A	2.000	R14,24
91130340-50	RESISTOR R-16 TP JFT 27	1.000	R358
91130360-50	RESISTOR R-16 TP JFT 33	2.000	R125, 225
91130420-50	RESISTOR R-16 TP JFT 56	2.000	R106, 206
91130420-50	RESISTOR R-16 TP JFT 56	2.000	R114, 214
91130440-50	RESISTOR R-16 TP JFT 68	2.000	R140, 240
91130600-50	RESISTOR R-16 TP JFT 330	1.000	R371
91130660-50	RESISTOR R-16 TP JFT 560	2.000	R121, 221
91130720-50	RESISTOR R-16 TP JFT 1K	2.000	R101, 201
91130720-50	RESISTOR R-16 TP JFT 1K	2.000	R109, 209
91130720-50	RESISTOR R-16 TP JFT 1K	2.000	R126, 226
91130720-50	RESISTOR R-16 TP JFT 1K	1.000	R302
91130720-50	RESISTOR R-16 TP JFT 1K	1.000	R357
91130720-50	RESISTOR R-16 TP JFT 1K	1.000	R370
91130800-50	RESISTOR R-16 TP JFT 2.2K	2.000	R108, 208
91130800-50	RESISTOR R-16 TP JFT 2.2K	2.000	R116, 216
91130800-50	RESISTOR R-16 TP JFT 2.2K	2.000	R131, 231
91130800-50	RESISTOR R-16 TP JFT 2.2K	2.000	R133, 233
91130800-50	RESISTOR R-16 TP JFT 2.2K	1.000	R311
91130820-50	RESISTOR R-16 TP JFT 2.7K	2.000	R117, 217
91130820-50	RESISTOR R-16 TP JFT 2.7K	2.000	R123, 223
91130820-50	RESISTOR R-16 TP JFT 2.7K	1.000	R356
91130880-50	RESISTOR R-16 TP JFT 4.7K	2.000	R104, 204
91130880-50	RESISTOR R-16 TP JFT 4.7K	2.000	R112, 212
91130880-50	RESISTOR R-16 TP JFT 4.7K	1.000	R359
91130900-50	RESISTOR R-16 TP JFT 5.6K	2.000	R129, 229
91130900-50	RESISTOR R-16 TP JFT 5.6K	1.000	R301
91130910-50	RESISTOR R-16 TP JFT 6.2K	2.000	R118, 218
91130920-50	RESISTOR R-16 TP JFT 6.8K	2.000	R107, 207
91130920-50	RESISTOR R-16 TP JFT 6.8K	2.000	R115, 215
91130930-50	RESISTOR R-16 TP JFT 7.5K	1.000	R352
91130940-50	RESISTOR R-16 TP JFT 8.2K	2.000	R130, 230
91130960-50	RESISTOR R-16 TP JFT 10K	2.000	R128, 228
91130960-50	RESISTOR R-16 TP JFT 10K	2.000	R132, 232
91130960-50	RESISTOR R-16 TP JFT 10K	2.000	R136, 236
91130960-50	RESISTOR R-16 TP JFT 10K	1.000	R312
91130980-50	RESISTOR R-16 TP JFT 12K	2.000	R139, 239
91131020-50	RESISTOR R-16 TP JFT 18K	2.000	R127, 227
91131020-50	RESISTOR R-16 TP JFT 18K	1.000	R354
91131040-50	RESISTOR R-16 TP JFT 22K	1.000	R351

91131040-50	RESISTOR R-16 TP JFT 22K	2.000	R367, 368
91131050-50	RESISTOR R-16 TR JFT 24K	2.000	R120, 220
91131050-50	RESISTOR R-16 TR JFT 24K	1.000	R313
91131050-50	RESISTOR R-16 TR JFT 24K	1.000	R353
91131060-50	RESISTOR R-16 TP JFT 27K	1.000	R303
91131080-50	RESISTOR R-16 TP JFT 33K	2.000	R134, 234
91131080-50	RESISTOR R-16 TP JFT 33K	1.000	R347
91131090-50	RESISTOR R-16 TP 36K	1.000	R334
91131110-50	RESISTOR R-16 TP JFT 43K	1.000	R335
91131110-50	RESISTOR R-16 TP JFT 43K	1.000	R342
91131120-50	RESISTOR R-16 TP JFT 47K	2.000	R138, 238
91131120-50	RESISTOR R-16 TP JFT 47K	7.000	R304- 310
91131120-50	RESISTOR R-16 TP JFT 47K	1.000	R315
91131120-50	RESISTOR R-16 TP JFT 47K	1.000	R350
91131120-50	RESISTOR R-16 TP JFT 47K	2.000	R360, 361
91131130-50	RESISTOR R-16 TP JFT 51K	1.000	R316
91131130-50	RESISTOR R-16 TP JFT 51K	1.000	R333
91131140-50	RESISTOR R-16 TP JFT 56K	2.000	R102, 202
91131140-50	RESISTOR R-16 TP JFT 56K	2.000	R110, 210
91131140-50	RESISTOR R-16 TP JFT 56K	1.000	R318
91131140-50	RESISTOR R-16 TP JFT 56K	1.000	R336
91131140-50	RESISTOR R-16 TP JFT 56K	2.000	R339, 341
91131150-50	RESISTOR R-16 TP JFT 62K	1.000	R321
91131160-50	RESISTOR R-16 TP JFT 68K	1.000	R330
91131160-50	RESISTOR R-16 TP JFT 68K	1.000	R340
91131160-50	RESISTOR R-16 TP JFT 68K	1.000	R348
91131170-50	RESISTOR R-16 TP JFT 75K	1.000	R329
91131170-50	RESISTOR R-16 TP JFT 75K	1.000	R332
91131180-50	RESISTOR R-16 TP JFT 82K	1.000	R344
91131180-50	RESISTOR R-16 TP JFT 82K	1.000	R346
91131190-50	RESISTOR R-16 TP 91K	1.000	R320
91131190-50	RESISTOR R-16 TP 91K	2.000	R322, 323
91131190-50	RESISTOR R-16 TP 91K	1.000	R327
91131190-50	RESISTOR R-16 TP 91K	1.000	R345
91131200-50	RESISTOR R-16 TP JFT 100K	2.000	R122, 222
91131200-50	RESISTOR R-16 TP JFT 100K	2.000	R124, 224
91131210-50	RESISTOR R-16 TP 110K	1.000	R324
91131210-50	RESISTOR R-16 TP 110K	1.000	R328
91131220-50	RESISTOR R-16 TP JFT 120K	2.000	R103, 203
91131220-50	RESISTOR R-16 TP JFT 120K	2.000	R111, 211
91131220-50	RESISTOR R-16 TP JFT 120K	1.000	R319
91131230-50	RESISTOR R-16 TP JPT 130K	1.000	R314
91131230-50	RESISTOR R-16 TP JPT 130K	1.000	R326
91131230-50	RESISTOR R-16 TP JPT 130K	1.000	R338
91131240-50	RESISTOR R-16 TP JFT 150K	2.000	R135, 235
91131240-50	RESISTOR R-16 TP JFT 150K	1.000	R317
91131240-50	RESISTOR R-16 TP JFT 150K	1.000	R325
91131240-50	RESISTOR R-16 TP JFT 150K	1.000	R343
91131260-50	RESISTOR R-16 TP JFT 180K	1.000	R337
91131260-50	RESISTOR R-16 TP JFT 180K	1.000	R349
91131280-50	RESISTOR R-16 TP JFT 220K	1.000	R331
91131440-50	RESISTOR R-16 TP JFT 1M	2.000	R105, 205
91131440-50	RESISTOR R-16 TP JFT 1M	2.000	R113, 213
91130820-50	RESISTOR R-16 TP JFT 2.7K	1.000	R5
91130980-50	RESISTOR R-16 TP JFT 12K	1.000	R7
91131180-50	RESISTOR R-16 TP JFT 82K	1.000	R1

91131200-50	RESISTOR R-16 TP JFT 100K	1.000	R6
91131290-50	RESISTOR R-16 TP JFT 240K	1.000	R4
91131310-50	R., CARBON R-16 JFT 300K	1.000	R3
91131360-50	RESISTOR R-16 TP JFT 470K	1.000	R2
91112520-00	RESISTOR ARRAY 100K*10	1.000	R61
91120599-10	SEMI-FIXED 2.2K TB067A	4.000	VR1-4
91130700-50	RESISTOR R-16 TP JFT 820	1.000	R41
91130720-50	RESISTOR R-16 TP JFT 1K	1.000	R51
91130720-50	RESISTOR R-16 TP JFT 1K	1.000	R53
91130720-50	RESISTOR R-16 TP JFT 1K	1.000	R55
91130720-50	RESISTOR R-16 TP JFT 1K	1.000	R57
91130870-50	RESISTOR R-16 TP JFT 4.3K	1.000	R47
91130870-50	RESISTOR R-16 TP JFT 4.3K	1.000	R49
91130880-50	RESISTOR R-16 TP JFT 4.7K	1.000	R50
91130880-50	RESISTOR R-16 TP JFT 4.7K	1.000	R52
91130880-50	RESISTOR R-16 TP JFT 4.7K	1.000	R54
91130880-50	RESISTOR R-16 TP JFT 4.7K	1.000	R56
91130920-50	RESISTOR R-16 TP JFT 6.8K	1.000	R46
91130920-50	RESISTOR R-16 TP JFT 6.8K	1.000	R48
91130960-50	RESISTOR R-16 TP JFT 10K	1.000	R43
91131040-50	RESISTOR R-16 TP JFT 22K	1.000	R42
91131040-50	RESISTOR R-16 TP JFT 22K	2.000	R44,45
91131040-50	RESISTOR R-16 TP JFT 22K	1.000	R59
91131040-50	RESISTOR R-16 TP JFT 22K	4.000	R62-6+D2345
91720213-00	VR RK09K1110617 100KW*1	1.000	R32
91720217-00	VR RK16K12B0010 50KA*2	1.000	R31
91130700-50	RESISTOR R-16 TP JFT 820	2.000	D400, 401

CAPACITORS

91150472-20	C,P.L 200PF 100V J	2.000	C130, 230
91151832-01	C.,PP 0.01UF 100V J	1.000	C309
91155390-21	C,MYLAR 0.0022UF 50V J	2.000	C114, 214
91155390-21	C,MYLAR 0.0022UF 50V J	2.000	C115, 215
91155470-21	C,MYLAR 0.0047UF 50V J	1.000	C308
91155550-21	C,MYLAR 0.01UF 50V J TP	2.000	C124, 224
91155630-21	C,MYLAR 0.022UF 50V J TP	2.000	C126, 226
91155650-21	C,MYLAR 0.027M 50VJ	2.000	C103, 203
91155650-21	C,MYLAR 0.027M 50VJ	2.000	C108, 208
91155710-21	C,MYLAR 0.047UF 50V J TP	2.000	C125, 225
91155770-21	C,MYLAR 0.082UF 50V J TP	1.000	C307
91157741-20	C,CERAMIC TP 10P 50VK SL	1.000	C304
91157871-20	C,CERAMIC TP 100P 50VK SL	2.000	C129, 229
91157871-20	C,CERAMIC TP 100P 50VK SL	2.000	C132, 232
91157871-20	C,CERAMIC TP 100P 50VK SL	1.000	C315
91157891-20	C,CERAMIC TP 150P 50VK SL	2.000	C123, 223
91157921-20	C,CERAMIC 220PF/50VK(SL)	2.000	C133, 233
91157941-20	C,CERAMIC TP 330P 50VK SL	2.000	C102, 202
91157971-20	C,CERAMIC TP 560P 50VK SL	2.000	C127, 227
91157991-20	C,CERAMIC TP 820P 50VKYB	2.000	C101, 201
91158001-20	C,CERAMIC 0.001UF 50V K	2.000	C106, 206
91158001-20	C,CERAMIC 0.001UF 50V K	2.000	C107, 207
91158001-20	C,CERAMIC 0.001UF 50V K	2.000	C111, 211
91158001-20	C,CERAMIC 0.001UF 50V K	2.000	C131, 231
91158001-20	C,CERAMIC 0.001UF 50V K	2.000	C318, 319
91158188-20	C,CERAMIC 0.01UF 50V Z YF	2.000	C119, 219

91158188-20	C,CERAMIC 0.01UF 50V Z YF	2.000	C313, 314
91170320-20	C,ELEC 0.33UF/50V (TP)	2.000	C117, 217
91170360-20	C,ELEC 0.47M 50V TP	2.000	C120, 220
91170660-20	C,ELEC TP 1M 50V	2.000	C112, 212
91170660-20	C,ELEC TP 1M 50V	1.000	C301
91170810-20	C,ELEC TP 2.2M 50V	2.000	C105, 205
91170810-20	C,ELEC TP 2.2M 50V	2.000	C110, 210
91171110-20	C,ELEC TP 4.7M 50V	2.000	C134, 234
91171380-20	C,ELEC TP 10M 16V	2.000	C113, 213
91171380-20	C,ELEC TP 10M 16V	2.000	C118, 218
91171380-20	C,ELEC TP 10M 16V	2.000	C121, 221
91171380-20	C,ELEC TP 10M 16V	2.000	C122, 222
91171380-20	C,ELEC TP 10M 16V	2.000	C302, 303
91171390-20	C,ELEC TP 10M 25V	1.000	C305
91171970-20	C,ELEC TP100M 10V	2.000	C324, 325
91171990-20	C,ELEC 100UF/25V (TP)	1.000	C306
91172120-20	C,ELEC 220UF/10V	2.000	C104, 204
91172120-20	C,ELEC 220UF/10V	2.000	C109, 209
91172735-10	C,ELEC 2200M 16V P=5	1.000	C321
91172735-10	C,ELEC 2200M 16V P=5	1.000	C322
91172891-20	C,ELEC 0.56UF 50V	2.000	C116, 216
91173020-00	C,ELEC 3300M 16V	1.000	C320
91158188-20	C,CERAMIC 0.01UF 50V Z YF	1.000	C6
91158188-20	C,CERAMIC 0.01UF 50V Z YF	1.000	C8
91158238-20	C.CERAMIC 0.047UF/50VZ YF	1.000	C4
91171380-20	C,ELEC TP 10M 16V	1.000	C5
91172000-20	C,ELEC TP 100M 35V	1.000	C1
91172140-00	C,ELEC 220UF/25V	1.000	C7
91172150-00	C,ELEC 220M 35V	1.000	C2
91172290-00	C,ELEC 330M 25V	1.000	C3
91153811-20	C,METAL 0.12UF 50V J TP	1.000	C1
91153870-20	C,METAL 0.22UF 50V J TP	1.000	C2
91155630-21	C,MYLAR 0.022UF 50V J TP	1.000	C3
91200001-01	SPARK KILLER 0.0047M 250V	1.000	C401

IC's

91670098-00	IC TC4066BP (14P)	2.000	U302, 304
91670098-00	IC TC4066BP (14P)	1.000	U306
91670111-00	IC,BU4066B (14P)	0.000	U302, 304
91670111-00	IC,BU4066B (14P)	0.000	U306
91670121-00	IC,NJM4558S	1.000	U307
91670128-00	IC,UPC1297CA (18P)	1.000	U310
91670140-00	IC, UPC4570C	2.000	U301, 303
91670189-10	IC,TC4051BP (16P)	1.000	U309
91670192-00	IC, CXA1331S	1.000	U305
91670196-00	IC, CXA1198AP	1.000	U308
91670237-00	IC,NJM4558L (8P)	1.000	U312
91670275-00	IC,M5F78M07L	1.000	U7
91670276-00	IC M5F79M07L	1.000	Q307
91670185-00	IC, L78LR05D-MA	1.000	U41
91670349-01	IC UPD 78042 FGF-023-3B9	1.000	U42
91670383-00	IC,REMO-CON SBX1976-52	1.000	U53
91670350-00	IC HD74HC14P	1.000	U1

TRANSISTORS

91630099-20	TR,2SA1015GR (TP)	1.000	Q301
91630112-20	DTR,DTA 124ES TP	6.000	U327- 332
91630112-20	DTR,DTA 124ES TP	3.000	U335- 337
91630112-20	DTR,DTA 124ES TP	2.000	U341, 342
91633094-20	TR,2SC1815GR (TP)	2.000	Q102, 202
91633094-20	TR,2SC1815GR (TP)	2.000	Q302, 303
91633104-20	DTR,DTC 124ES TP	1.000	U101
91633104-20	DTR,DTC 124ES TP	1.000	U201
91633104-20	DTR,DTC 124ES TP	5.000	U321- 325
91633104-20	DTR,DTC 124ES TP	3.000	U338- 340
91633104-20	DTR,DTC 124ES TP	1.000	U343
91633115-20	TR,2SC2240 GR TP	2.000	Q103, 203
91633115-20	TR,2SC2240 GR TP	1.000	Q304
91633094-20	TR,2SC1815GR (TP)	1.000	Q1
91630099-20	TR,2SA1015GR (TP)	1.000	Q1
91630112-20	DTR,DTA 124ES TP	2.000	U45,4 6
91630112-20	DTR,DTA 124ES TP	1.000	U52
91630116-20	TR,TP 2SA1020Y	4.000	Q3-6
91633094-20	TR,2SC1815GR (TP)	1.000	Q2
91633104-20	DTR,DTC 124ES TP	2.000	U43,44
91633104-20	DTR,DTC 124ES TP	5.000	U47-51

DIODES

91650221-50	DIODE TP 1SS133T	2.000	D101, 201
91650221-50	DIODE TP 1SS133T	6.000	D302- 307
91650251-50	DIODE SB160	2.000	D24,29
91650205-50	DIODE LT 1N4003 TP 0.6MM	2.000	D2,3
91650205-50	DIODE LT 1N4003 TP 0.6MM	1.000	D5
91650221-50	DIODE TP 1SS133T	5.000	D9-13
91650221-50	DIODE TP 1SS133T	1.000	D15
91650221-50	DIODE TP 1SS133T	5.000	D17-2+D4641
91650221-50	DIODE TP 1SS133T	1.000	D23
91650221-50	DIODE TP 1SS133T	1.000	D31
91650221-50	DIODE TP 1SS133T	2.000	D34-3 5
91650221-50	DIODE TP 1SS133T	1.000	D39
91650221-50	DIODE TP 1SS133T	3.000	D41-4 3
91650221-50	DIODE TP 1SS133T	1.000	D44
91650221-50	DIODE TP 1SS133T	2.000	D45,4 6
91660515-50	DIODE,ZENER MTZJ27B	1.000	D1
91660516-50	DIODE,ZENER MTZJ3.9B	1.000	D8
91650221-50	DIODE TP 1SS133T	4.000	D1-4

COILS

91220193-00	COIL,22MH EC46-223K-U	2.000	L102, 202
91220194-10	LOW-PASS FILTER,MPX	2.000	L101, 201
91730063-50	COIL 220MH EC36-221K-T5	2.000	L302, 303
91730077-00	STEP UP COIL	2.000	L103, 203
91730082-00	OSC COIL,100KHZ	1.000	L301

MISC.

91014122-00	OWNER'S MANUAL (EUR)	1.000	
91090271-11	IN-OUTPUT CORD	2.000	
92601854-01	EJECT ASSY,	1.000	010
92601514-01	EJECT SPRING	1.000	
92601827-01	EJECT ARM,	1.000	
92601828-01	EJECT HOLDER,	1.000	
92601849-01	EJECT HOOK,	1.000	
92601854-02	EJECT ASSY,	2.000	010
92601514-01	EJECT SPRING	1.000	
92601827-11	EJECT ARM,	2.000	
92601828-11	EJECT HOLDER,	2.000	
92601849-11	EJECT HOOK,	2.000	
92780335-03	MECH ASSY,R/P CRF-482	1.000	
92781547-00	SCREW	2.000	87
92783301-00	FLAME HEAD	1.000	02
92783302-00	LEVER HEAD	1.000	03
92783303-00	AZIMUTH SPG 16-160-4032	1.000	04
92783304-00	ASSY ARM ASSIST	1.000	05
92783305-00	GEAR ARM HEAD	1.000	06
92783306-00	SPRING CASSETTE	1.000	07
92783307-00	EJECT LOCK	1.000	08
92783308-00	CAP REEL (22-222-4041)	2.000	09
92783309-00	ASSY PINCH ARM L	1.000	10
92783310-00	CHASSIS HEAD	1.000	11
92783311-00	ASSY PINCH ARM R	1.000	12
92783312-00	ARM PLAY L	1.000	13
92783313-00	GEAR PLAY 22-22-4282	2.000	14
92783314-00	ARM PLAY R 22-239-3256	1.000	15
92783315-00	CHASSIS OS.	1.000	16
92783316-00	REEL SUB ASSY L	1.000	17
92783317-00	SOLENOID (07-W021C)	1.000	18
92783319-00	ARM RVS	1.000	20
92783320-00	GEAR FF (22-222-4048)	1.000	21
92783321-00	ASSY ARM FR	1.000	22
92783322-01	ASSY PULLEY FR	1.000	
92783323-02	BELT,FR	1.000	
92783324-00	METAL (22-262-4033)	1.000	25
92783325-01	ASSY FLYWHEEL,L	1.000	26
92783326-00	METAL (16-262-4031S)	1.000	27
92783327-00	ARM BRAKE (22-239-3028)	1.000	28
92783328-00	REEL SUB ASSY R 220934151	1.000	29
92783329-00	ARM TRIGER	1.000	30
92783330-00	GEAR CAM	1.000	31
92783331-00	METAL (PBE-16449)	1.000	32
92783332-02	ASSY FLYWHEEL,R	1.000	
92783333-00	METAL (16-262-4030S)	1.000	34
92783335-00	HOLDER WIRE 15P	1.000	36
92783337-00	SWITCH MODE	1.000	38
92783338-00	SWITCH LEAF	5.000	39
92783339-00	HALL IC.(00LB9051A)	1.000	40
92783340-00	BRACKET FW	1.000	41
92783341-01	ASSY MOTOR	1.000	
92783343-02	BELT,MAIN	1.000	
92783346-00	SPRING HEAD (01-080-4251)	1.000	61

92783347-00	SPRING (01-080-4249)	1.000	62
92783348-00	SPRING (01-082-4250)	1.000	63
92783349-00	SPRING REEL L 01-081-4257	1.000	64
92783350-00	SPRING P.A.L(01-082-4253)	1.000	65
92783351-00	SPRING ARM PLL 010824262	1.000	66
92783352-00	SPRING (01-082-4252)	1.000	67
92783353-00	SPRING REEL R 01-081-4258	1.000	68
92783354-00	SPRING P.A.R 01-082-4254	1.000	69
92783355-00	SPRING AMP PLR 010824261	1.000	70
92783356-00	SPRING 01-080-4260	1.000	71
92783357-00	SPRING F/N L 01-081-4413	1.000	72
92783358-00	SPRING F/N R 01-081-4309	1.000	73
92783359-00	SCREW	2.000	81
92783360-00	SCREW	1.000	82
92783361-00	SCREW	1.000	83
92783362-00	SCREW	2.000	84
92783363-00	SCREW	2.000	85
92783364-00	SCREW	3.000	86
92783365-00	SCREW	2.000	
92783366-00	WASHER PGWP16X040040	1.000	102
92783367-00	P WASHER (PGWP26X042013)	4.000	103
92783368-00	ASSY HOLDER HEAD	1.000	01
92783369-00	WIRE,13P	1.000	35
92783370-00	HOUSING	1.000	47
92783422-00	WASHER NO.104	1.000	
92783423-00	WASHER NO.105	1.000	
92780336-03	MECH ASSY,PLAY CRF-483	1.000	
92781547-00	SCREW	2.000	87
92783300-00	ASSY HOLDER HEAD	1.000	01
92783301-00	FLAME HEAD	1.000	02
92783302-00	LEVER HEAD	1.000	03
92783303-00	AZIMUTH SPG 16-160-4032	1.000	04
92783304-00	ASSY ARM ASSIST	1.000	05
92783305-00	GEAR ARM HEAD	1.000	06
92783306-00	SPRING CASSETTE	1.000	07
92783307-00	EJECT LOCK	1.000	08
92783308-00	CAP REEL (22-222-4041)	2.000	09
92783309-00	ASSY PINCH ARM L	1.000	10
92783310-00	CHASSIS HEAD	1.000	11
92783311-00	ASSY PINCH ARM R	1.000	12
92783312-00	ARM PLAY L	1.000	13
92783313-00	GEAR PLAY 22-22-4282	2.000	14
92783314-00	ARM PLAY R 22-239-3256	1.000	15
92783315-00	CHASSIS OS.	1.000	16
92783316-00	REEL SUB ASSY L	1.000	17
92783317-00	SOLENOID (07-W021C)	1.000	18
92783318-00	WIRE	1.000	19
92783319-00	ARM RVS	1.000	20
92783320-00	GEAR FF (22-222-4048)	1.000	21
92783321-00	ASSY ARM FR	1.000	22
92783322-01	ASSY PULLEY FR	1.000	23
92783323-02	BELT,FR	1.000	24
92783324-00	METAL (22-262-4033)	1.000	25
92783325-01	ASSY FLYWHEEL,L	1.000	26
92783326-00	METAL (16-262-4031S)	1.000	27
92783327-00	ARM BRAKE (22-239-3028)	1.000	28

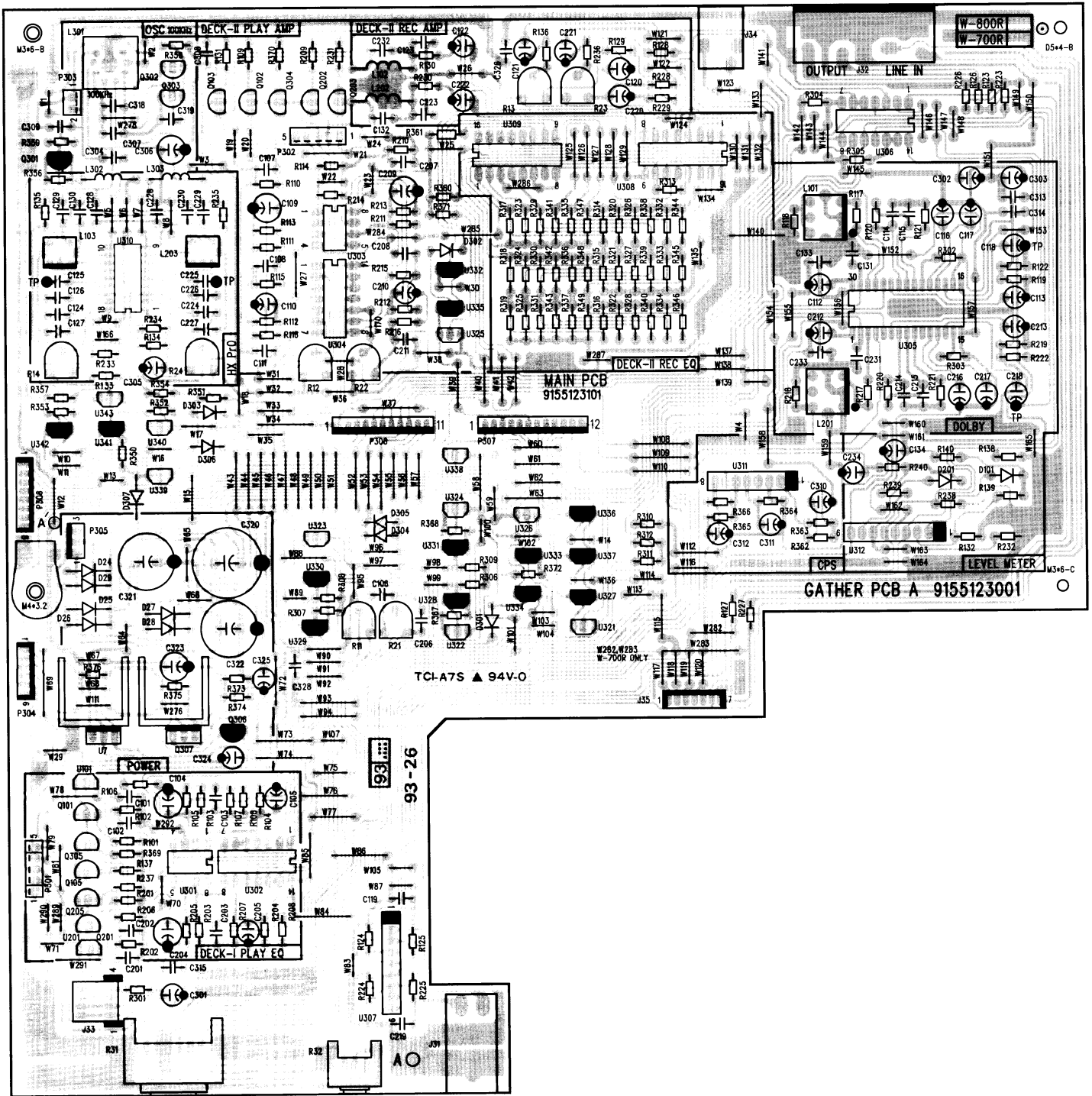
92783328-00	REEL SUB ASSY R 220934151	1.000	29
92783329-00	ARM TRIGER	1.000	30
92783330-00	GEAR CAM	1.000	31
92783331-00	METAL (PBE-16449)	1.000	32
92783332-02	ASSY FLYWHEEL,R	1.000	33
92783333-00	METAL (16-262-4030S)	1.000	34
92783334-00	WIRE (11P)	1.000	35
92783335-00	HOLDER WIRE 15P	1.000	36
92783337-00	SWITCH MODE	1.000	38
92783338-00	SWITCH LEAF	2.000	39
92783339-00	HALL IC.(00LB9051A)	1.000	40
92783340-00	BRACKET FW	1.000	41
92783341-01	ASSY MOTOR	1.000	43
92783343-02	BELT,MAIN	1.000	45
92783345-00	HOUSING	1.000	47
92783346-00	SPRING HEAD (01-080-4251)	1.000	61
92783347-00	SPRING (01-080-4249)	1.000	62
92783348-00	SPRING (01-082-4250)	1.000	63
92783349-00	SPRING REEL L 01-081-4257	1.000	64
92783350-00	SPRING P.A.L(01-082-4253)	1.000	65
92783351-00	SPRING ARM PLL 010824262	1.000	66
92783352-00	SPRING (01-082-4252)	1.000	67
92783353-00	SPRING REEL R 01-081-4258	1.000	68
92783354-00	SPRING P.A.R 01-082-4254	1.000	69
92783355-00	SPRING AMP PLR 010824261	1.000	70
92783356-00	SPRING 01-080-4260	1.000	71
92783357-00	SPRING F/N L 01-081-4413	1.000	72
92783358-00	SPRING F/N R 01-081-4309	1.000	73
92783359-00	SCREW	2.000	81
92783360-00	SCREW	1.000	82
92783361-00	SCREW	1.000	83
92783362-00	SCREW	2.000	84
92783363-00	SCREW	2.000	85
92783364-00	SCREW	3.000	86
92783366-00	WASHER PGWP16X040040	1.000	102
92783367-00	P WASHER (PGWP26X042013)	4.000	103
92783422-00	WASHER NO.104	1.000	
92783423-00	WASHER NO.105	1.000	
97832020-06	SCREW,BTT-S M2*6	2.000	
97832020-06	SCREW,BTT-S M2*6	2.000	010
97832020-06	SCREW,BTT-S M2*6	2.000	010
97834130-08	SCREW,CAP-P M3*8 BLK	2.000	010
97834130-08	SCREW,CAP-P M3*8 BLK	2.000	010
97836030-08	SCREW,BTT-P M3*8	4.000	
97836030-08	SCREW,BTT-P M3*8	4.000	010
91551650-00	HOLDER PCB 424MK2	1.000	
91070619-00	3P DECK 1 HEAD WIRES,	1.000	P301
91070620-00	5P DECK 2 HEAD WIRES,	1.000	P302/ 303
91070621-02	9P CONTROL WIRES A	1.000	J306
91070622-01	9P CONTROL WIRES B	1.000	J307
91070625-01	6P POWER WIRES,	1.000	J311
91070920-01	2P POWER LED WIRES	1.000	J312
91740193-00	LED SLR 342MG-3F	2.000	D60,6 1
91434420-00	CONNECTOR,TXC-P04P-A1	1.000	J311
91551233-00	CONNECTOR PCB, B237	1.000	
91070619-00	3P DECK 1 HEAD WIRES,	1.000	P301

91070620-00	5P DECK 2 HEAD WIRES,	1.000	P302/ 303
91431710-00	PLUG CONNECTOR B3B-EH 3P	1.000	P305
91431880-00	PIN JACK, 4P(YKC21-0066B)	1.000	J32
91432310-00	PLUG B3B-PH 3P	1.000	P304
91432390-00	PLUG,11P B11B-PH-K	1.000	P308
91432400-00	CONNECTOR PLUG,B12B-PH-K	1.000	P307
91433270-00	PHONE JACK (CPJ-065G)	1.000	J31
91434220-00	CONNECTOR TXC-P04X-A1	1.000	J33
92600698-01	HEAT SINK,SD385	2.000	
92940059-00	REC VR WASHER,9.1	1.000	
97818010-00	REC VR NUT,M9	1.000	
97832130-08	SCREW BTT-B M3*8	2.000	
97836130-08	SCREW BTT-P M3*8 (BLK)	1.000	
97888306-00	JUMPER WIRE	1.000	R374
97888306-00	JUMPER WIRE	1.000	C323
91070621-02	9P CONTROL WIRES A	1.000	J306
91070622-01	9P CONTROL WIRES B	1.000	J307
91350332-00	MODE SW (00231402)	2.000	SW21, 26
91360018-20	TACT SW (SKHVBE3520-TK)	5.000	SW1-5
91360018-20	TACT SW (SKHVBE3520-TK)	6.000	SW7-12
91360018-20	TACT SW (SKHVBE3520-TK)	2.000	SW14, 15
91360018-20	TACT SW (SKHVBE3520-TK)	3.000	SW17- 19
91360018-20	TACT SW (SKHVBE3520-TK)	2.000	SW23- 24
91431710-00	PLUG CONNECTOR B3B-EH 3P	1.000	J318
91433320-00	WIRE CONN,11P(52004-1110)	1.000	J319
91433330-00	WIRE CONN,13P(52004-1310)	1.000	J320
91600130-00	TP PIN JST, 2P B2P-SHF-1	1.000	TP1
91730084-10	OSC,CERAMIC EFOEC4194A4	1.000	X1
91740157-00	FL DISPLAY,BJ-185GKB	1.000	FL1
92602811-01	FL SPACER L	1.000	
92602812-01	FL SPACER R	1.000	
91551230-05	GATHER PCB A	1.000	
97831030-06	SCREW, CAP-S M3*6	2.000	
97832030-14	SCREW BTT-S M3*14	1.000	
97836030-08	SCREW,BTT-P M3*8	2.000	
91551650-00	HOLDER PCB 424MK2	1.000	
91070962-00	4P SIG WIRE	1.000	P1
97834130-08	SCREW,CAP-P M3*8 BLK	2.000	
91090257-11	AC CORD,EUR CEE CLASS2	1.000	
91210001-02	BUSHING,#2271	1.000	
91350366-00	POWER SW,SDDL1027U-TK	1.000	S401
97888306-15	JUMPER WIRE, P=15MM	1.000	W170
92601755-00	LINKAGE BRACKET	1.000	
97832030-06	SCREW,BTT-S M3*6	1.000	
97832030-06	SCREW,BTT-S M3*6	1.000	
97832940-08	SCREW, BTT-SSB M4*8	2.000	
92090246-00	APPEARANCE SECTION	1.000	
92600773-01	DAMPER (SD-385)	2.000	
92601816-02	TOP BRACKET,	1.000	
92601819-01	LEAD CASE,	2.000	
92601832-01	SPRING CASE,	2.000	
92601850-01	STOPPER CASE,L	2.000	
92601851-01	STOPPER CASE,R	2.000	
92601853-04	SHIELD PLATE,	1.000	
92602735-00	INDICATOR	1.000	
92602736-00	PUSH BUTTON (POW)	1.000	

92602737-00	ROTARY KNOB (BAL)	1.000
92602738-00	ROTARY KNOB (VOL)	1.000
92602739-01	SLIDER	1.000
92602741-01	LID WINDOW	2.000
92602742-01	PUSH BUTTON (PLAY)	1.000
92602744-01	PUSH BUTTON (FF/REW)	1.000
92602745-01	PUSH BUTTON (PAUSE)	1.000
92602747-01	WINDOW	1.000
92602750-00	PUSH BUTTON (EJE)	2.000
92602751-02	SLIDER (EJE)	2.000
97830530-06	SCREW, CAP-S M3*6 (BLK)	4.000
97834130-08	SCREW,CAP-P M3*8 BLK	4.000
97835530-07	SCREW,STK 3*6.9	3.000
97835930-08	SCREW,C-TITE M3*8(NI-BLK)	1.000
97836030-08	SCREW,BTT-P M3*8	4.000
91551650-00	HOLDER PCB 424MK2	1.000
92090249-20	CHASSIS SECTION EUR	1.000
92601139-02	FOOT ASSY, 56 (SILVER)	4.000
92601248-00	FOOT CD-P3000	4.000
92601249-02	FOOT CUSHION CD-P3000	4.000
92603040-00	REAR PANEL (EUR)	1.000
97832030-08	SCREW, BTT-S M3*8	4.000
97832330-06	SCREW,BTT-S M3*6 (BLK)	3.000

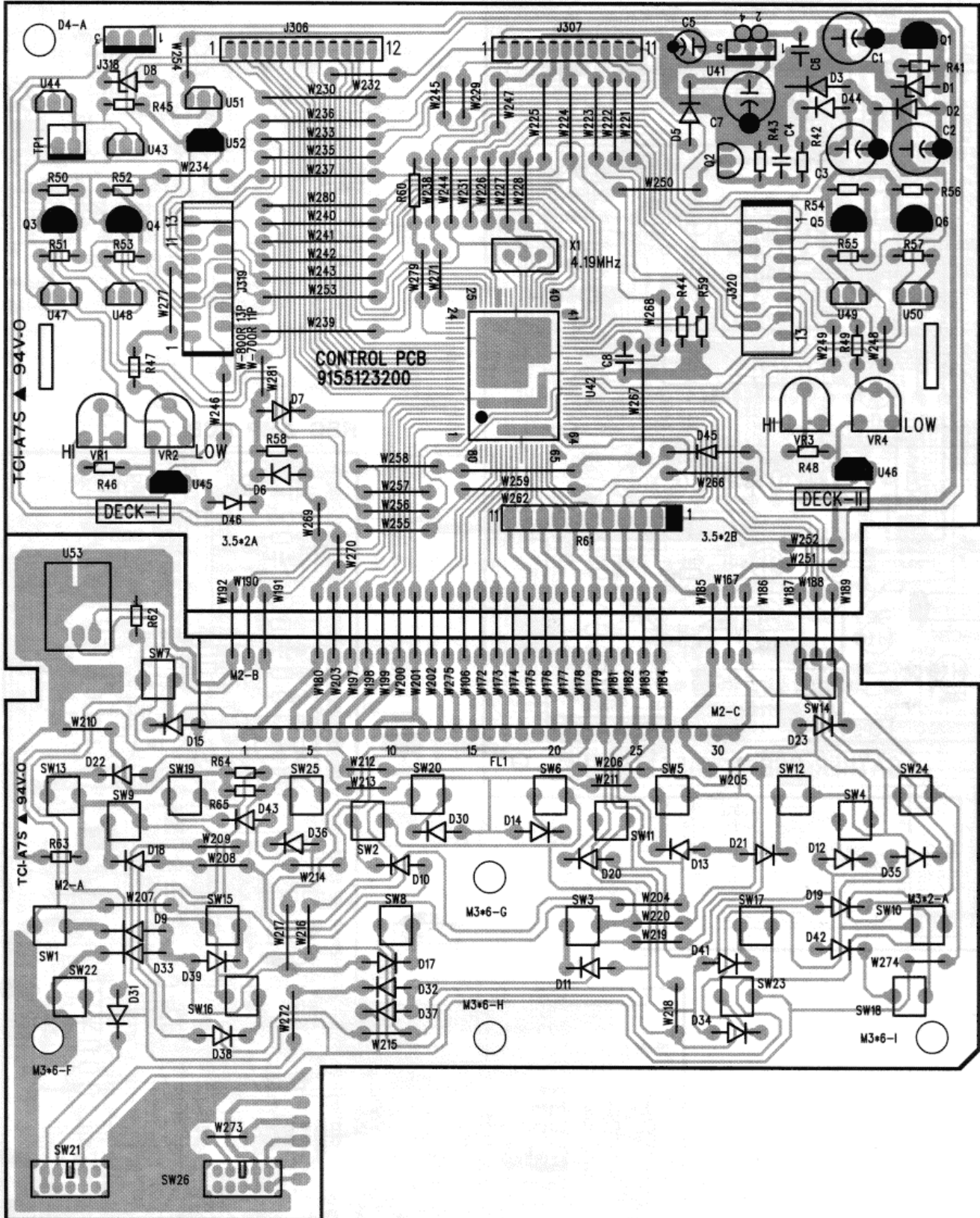
DC520

MAIN PCB



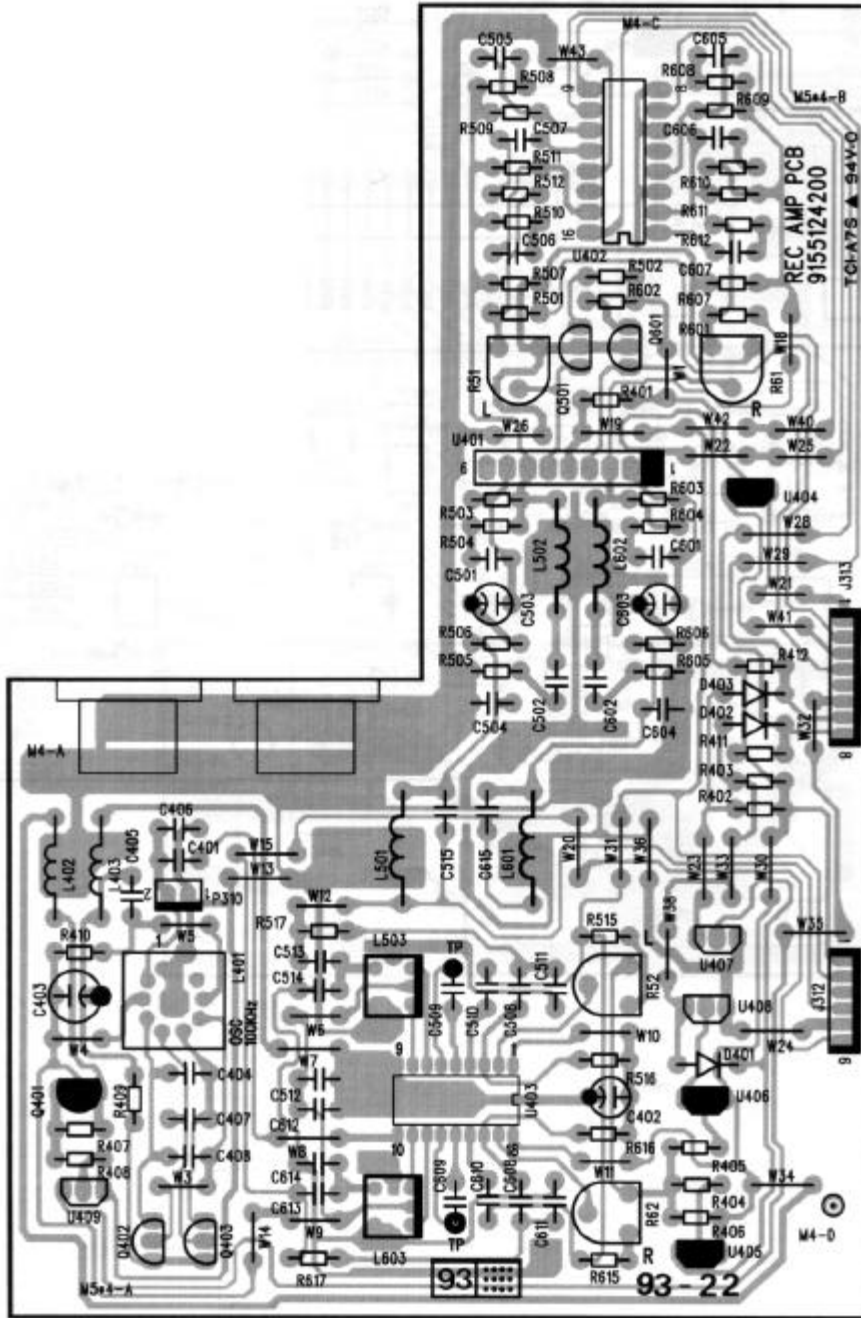
DC520

CONTROL PCB



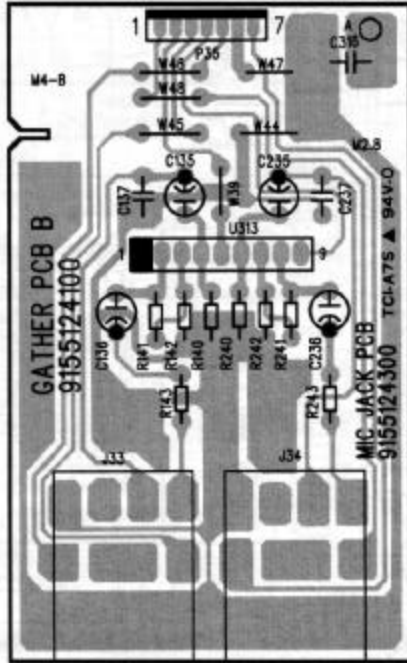
DC520

REC AMP PCB

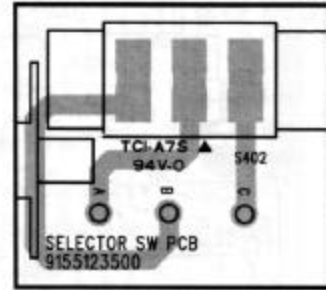


DC520

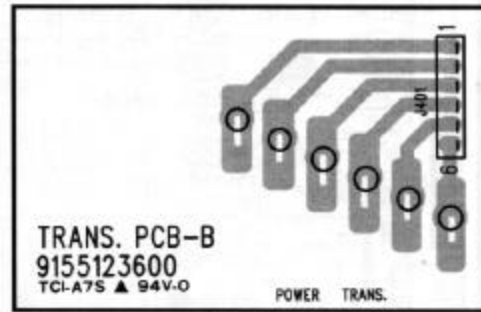
MIC JACK PCB



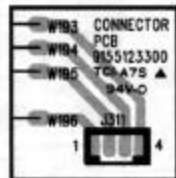
SELECTOR SW PCB



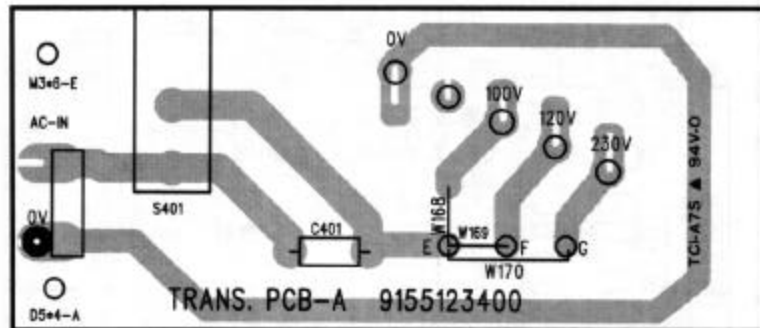
TRANS. PCB B



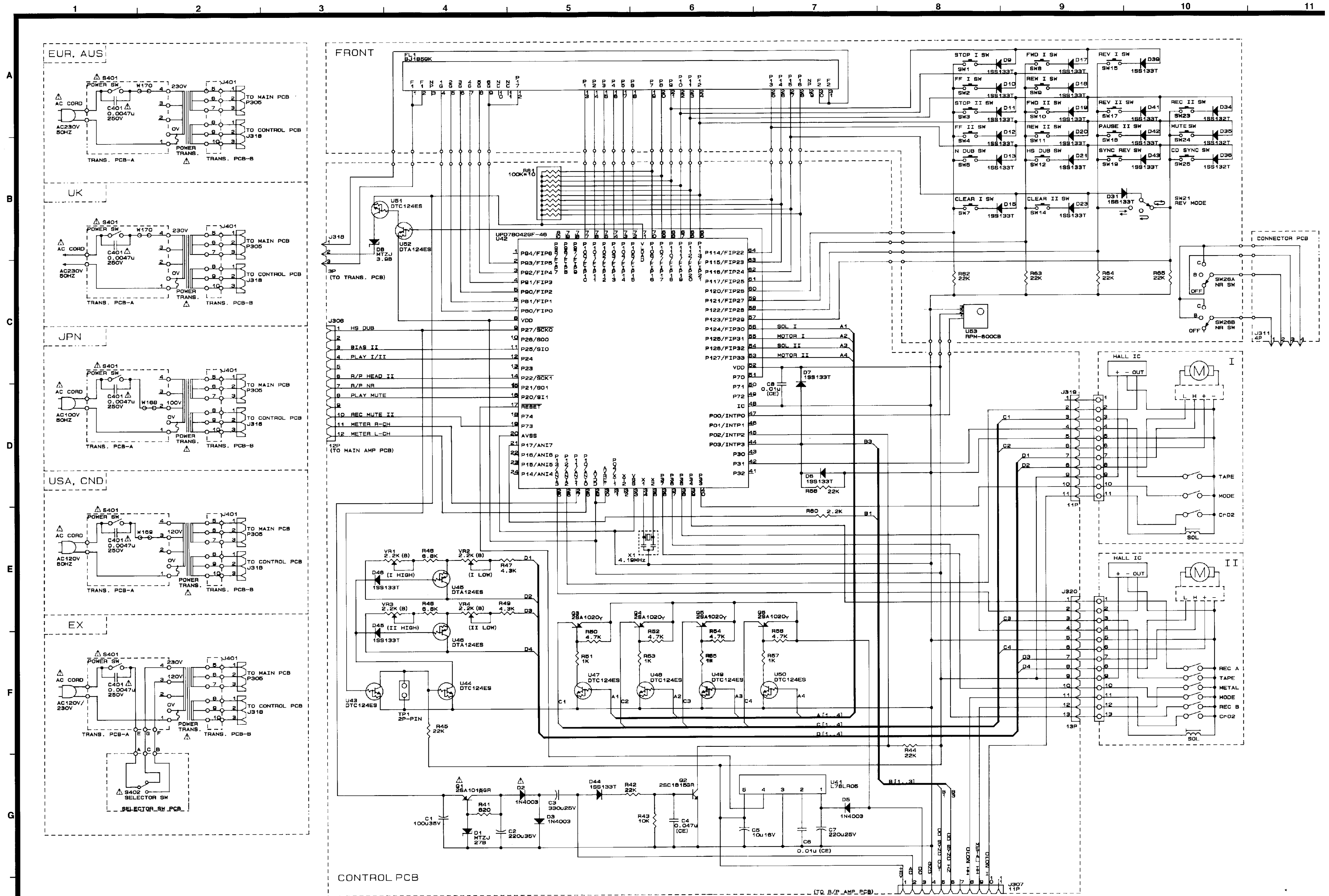
CONNECTOR PCB



TRANS. PCB A



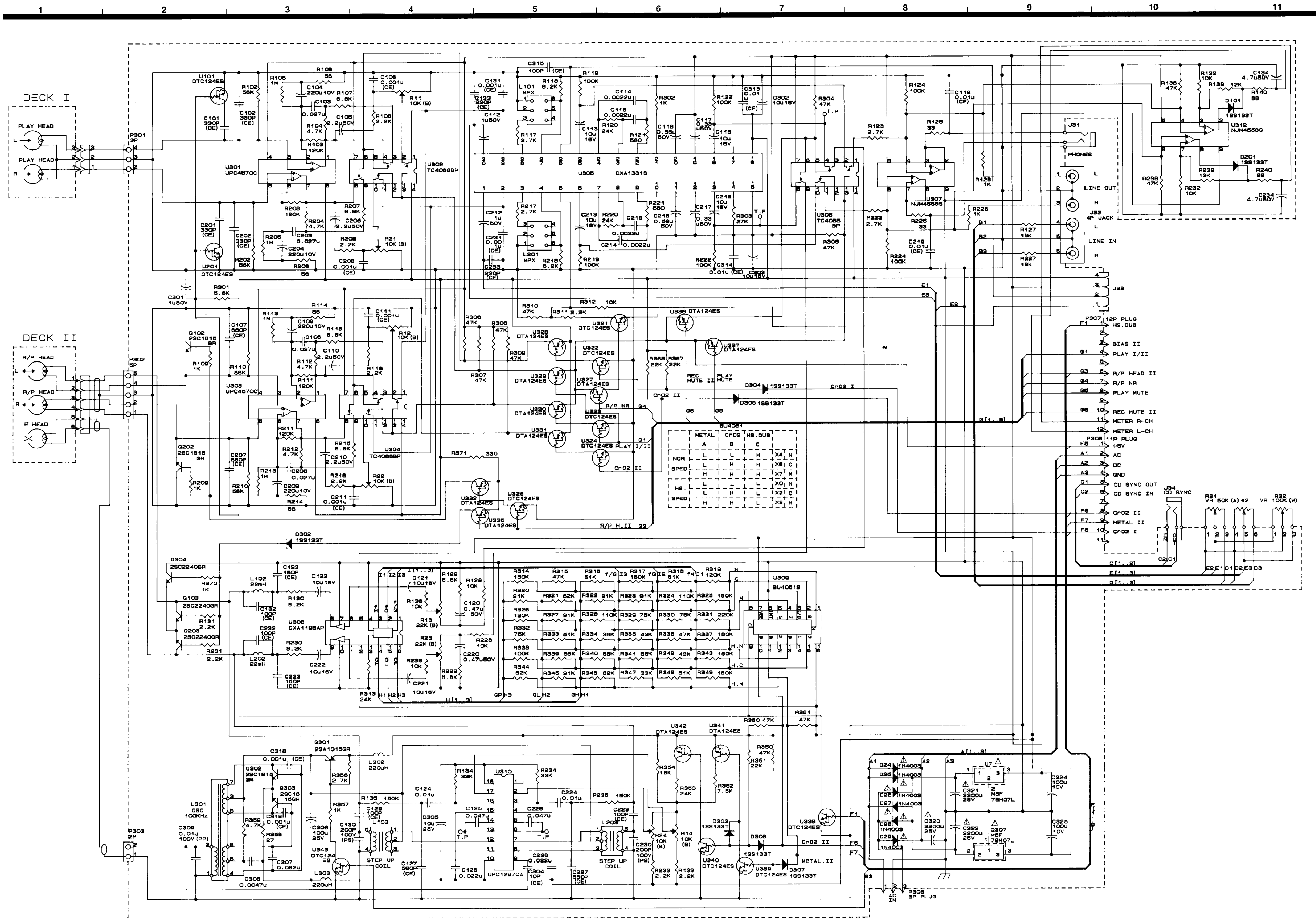
DC520



INSTRUCTIONS FOR SERVICE PERSONNEL
 BEFORE RETURNING APPLIANCE TO THE CUSTOMER, MAKE LEAKAGE-CURRENT OR RESISTANCE MEASUREMENTS TO DETERMINE THAT EXPOSED PARTS ARE ACCEPTABLY INSULATED FROM THE SUPPLY CIRCUIT.

NOTES:
 1. Resistor values are in ohms (k=kilo-ohms, M=megohms).
 2. Capacitor values are in microfarads (µ=picofarads).
 3. Δ Parts marked with this sign are safety critical components. They must always be replaced with identical components-referring to the appropriate parts list and ensure exact replacement.

DC520



INSTRUCTIONS FOR SERVICE PERSONNEL
 BEFORE RETURNING APPLIANCE TO THE CUSTOMER, MAKE LEAKAGE-CURRENT OR RESISTANCE MEASUREMENTS TO DETERMINE THAT EXPOSED PARTS ARE ACCEPTABLY INSULATED FROM THE SUPPLY CIRCUIT.

NOTES:
 1. Resistor values are in ohms (K-kilo-ohms, M-megohms).
 2. Capacitor values are in microfarads (p-picofarads).
 3. Parts marked with this sign are safety critical components. They must always be replaced with identical components—refer to the appropriate parts list and ensure exact replacement.